



AL13[®] Plank System Installation Guide



plank[®]
system

Patented



United States Patent
and Trademark Office

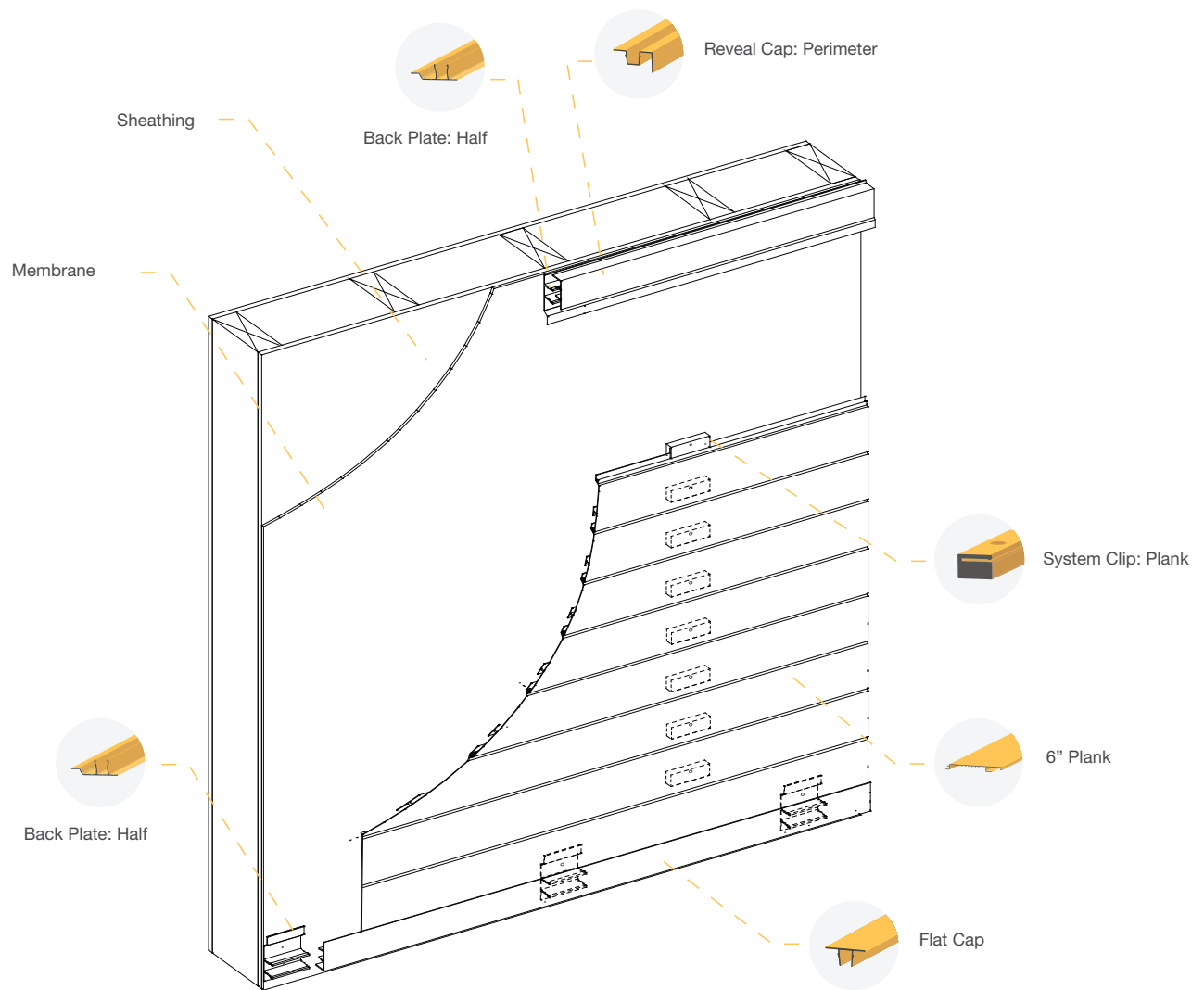


Canadian Intellectual
Property Office

get more info at al13.com/patents

How to Install

AL13®
architectural
system



Installation Guidelines 1

IMPORTANT: Failure to follow the guidelines will void the AL13® warranty.

Please read and understand the entirety of this guide. Any questions or inconsistencies should be directed to your sales representative or info@al13.com

Standard carpentry skills are required for optimum results.
Good health and safety practices must be followed when installing AL13® Systems.

Key steps for a successful installation

- 01 Understand the various elements of the system.
- 02 Plan the installation, work schedule, layout, and material usage.
- 03 Ensure everyone working has read the installation guidelines.
- 04 Execute work in the sequence set forth in the installation guidelines.
- 05 Protection should be worn, ear protection, safety glasses and hard hat.
- 06 Protect the product by storing the material in a dry and clean environment.
- 07 Ensure proper fit of the system.
- 08 Upon completion of installation, clean any debris on wall.

Key steps for a successful installation

When materials arrive on site, ensure that all panels, extrusions, and other components are in good condition. All material should be free of any defects.

- > Shipping or packaging issues should be noted on the waybill and then reported to the distributor.
- > Should any products be damaged, the receiving party is responsible for filing a freight claim to the shipping company within 24 hours of receiving product.
- > Defective materials should be reported to the distributor from which the product was dispatched from.

Installation Guidelines 2

Product Legend: This installation guide will discuss various components of the system and use component reference blocks. Please refer to the following to verify the correct component.

| Component | Size / piece | Material |
|--|--------------|-------------------------------------|
|  6" Plank | 12' length | AAMA 2604 coated aluminum extrusion |
|  4" Plank | 12' length | AAMA 2604 coated aluminum extrusion |
|  2" Perforated Vent Strip Plank | 12' length | AAMA 2604 coated aluminum extrusion |
|  End Frame | 12' length | AAMA 2604 coated aluminum extrusion |
|  Inside Corner | 12' length | AAMA 2604 coated aluminum extrusion |
|  Outside Corner | 12' length | AAMA 2604 coated aluminum extrusion |
|  Outside Corner Backplate | 12' length | AAMA 2604 coated aluminum extrusion |
|  Outside Corner Cap | 12' length | AAMA 2604 coated aluminum extrusion |
|  Back Plate: Half | 8' length | Anodized aluminum extrusion |
|  Back Plate | 8' length | Anodized aluminum extrusion |
|  Reveal Cap | 12' length | AAMA 2604 coated aluminum extrusion |
|  Reveal Cap: Perimeter | 12' length | AAMA 2604 coated aluminum extrusion |
|  Flat Cap: Perimeter | 12' length | AAMA 2604 coated aluminum extrusion |

Installation Guidelines 3

| Component | Size / piece | Material |
|---|----------------------------|---|
|  Flat Cap | 8' length | AAMA 2604 coated aluminum extrusion |
|  System Clip: Plank | box (100) | Fiberglass reinforced plastic |
|  Panel Joint Clip + Fastener Kit | box (100) | Fiberglass reinforced plastic |
|  System Clip: Compressible | box (100) | Plastic |
|  Wood Fastener <i>(for frame components)</i> | 500/package 1-1/2" long | 12 – 14 x 1 1/2" mini drill-point fasteners with EPDM washers and corrosion-resistant coating |
|  Plank Fastener <i>(for Plank System clips)</i> | 500/package 1-3/4" long | 12 – 14 x 1 3/4" mini drill-point fasteners with EPDM washers and corrosion-resistant coating |
|  80T Non ferrous Saw Blade | 10" - each | carbide tip / high-speed steel |
|  60T Non ferrous Saw Blade | 6-1/4" - each | carbide tip / high-speed steel |
|  AL13® Gloves | each | rubber / lycra |
|  Flat SLED | each | plastic and rubber |
|  Reveal SLED | each | plastic and rubber |
|  AL13® Tape | 108' roll | AL13® double sided acrylic adhesive tape |

Installation Guidelines 5

Inventory

Once material is verified to be in good condition, take inventory of units according to the packing slip. Make sure all materials and quantities are present.

- *The distributor should be notified immediately if the order has any missing or incomplete components. Failure to do so may void re-fulfillment.*

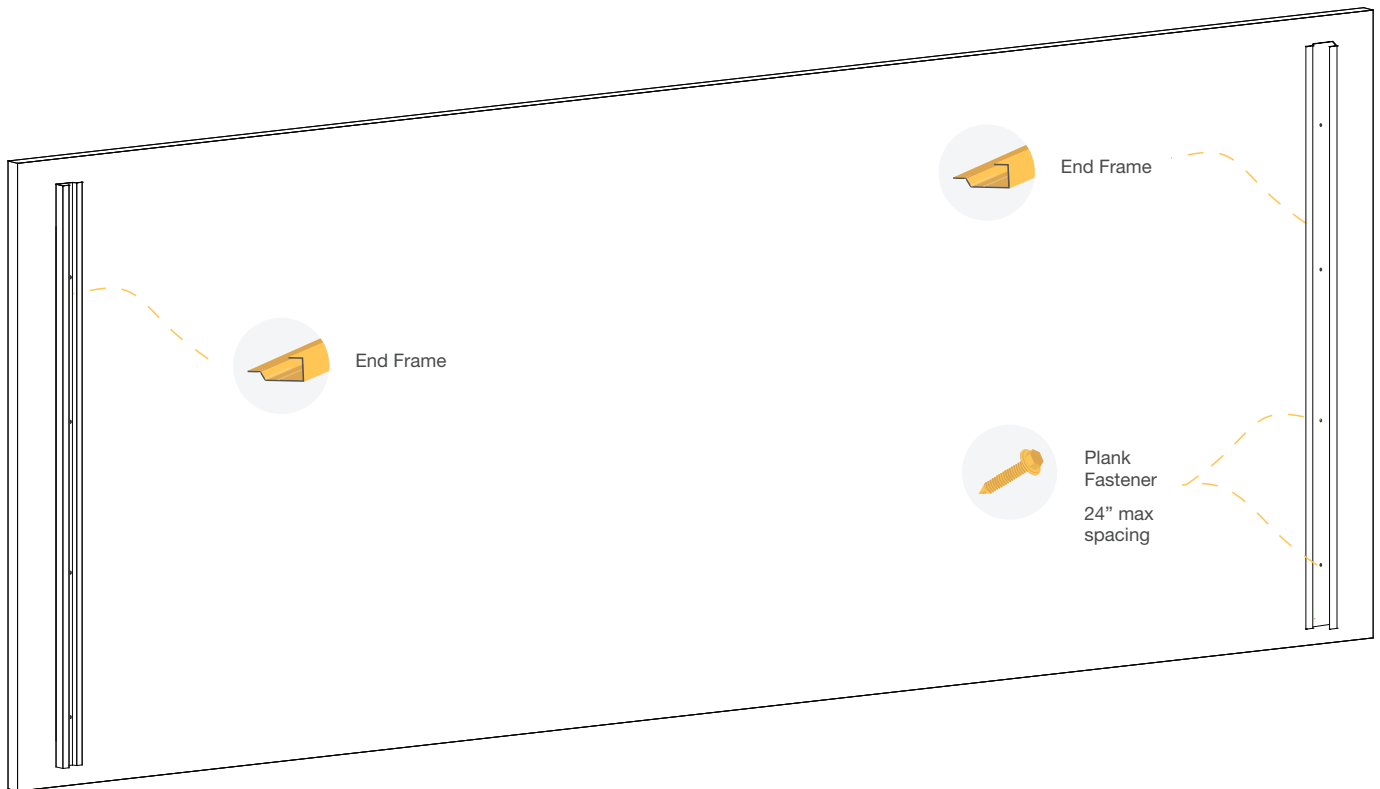
Tools

AL13® is made to be installed with general tools. A recommended tool list is as follows:

- > Sawhorses/work table
- > Circular saw, handheld with guide
- > Table saw
- > Cordless electric impact with appropriate bits
- > AL13® saw blades
- > Mitre saw
- > Jigsaw
- > Level/plumb line
- > Chalk line
- > Cordless electric drill
- > Drill bit set
- > AL13® SLED

Install 01

Fasten vertical perimeter extrusions

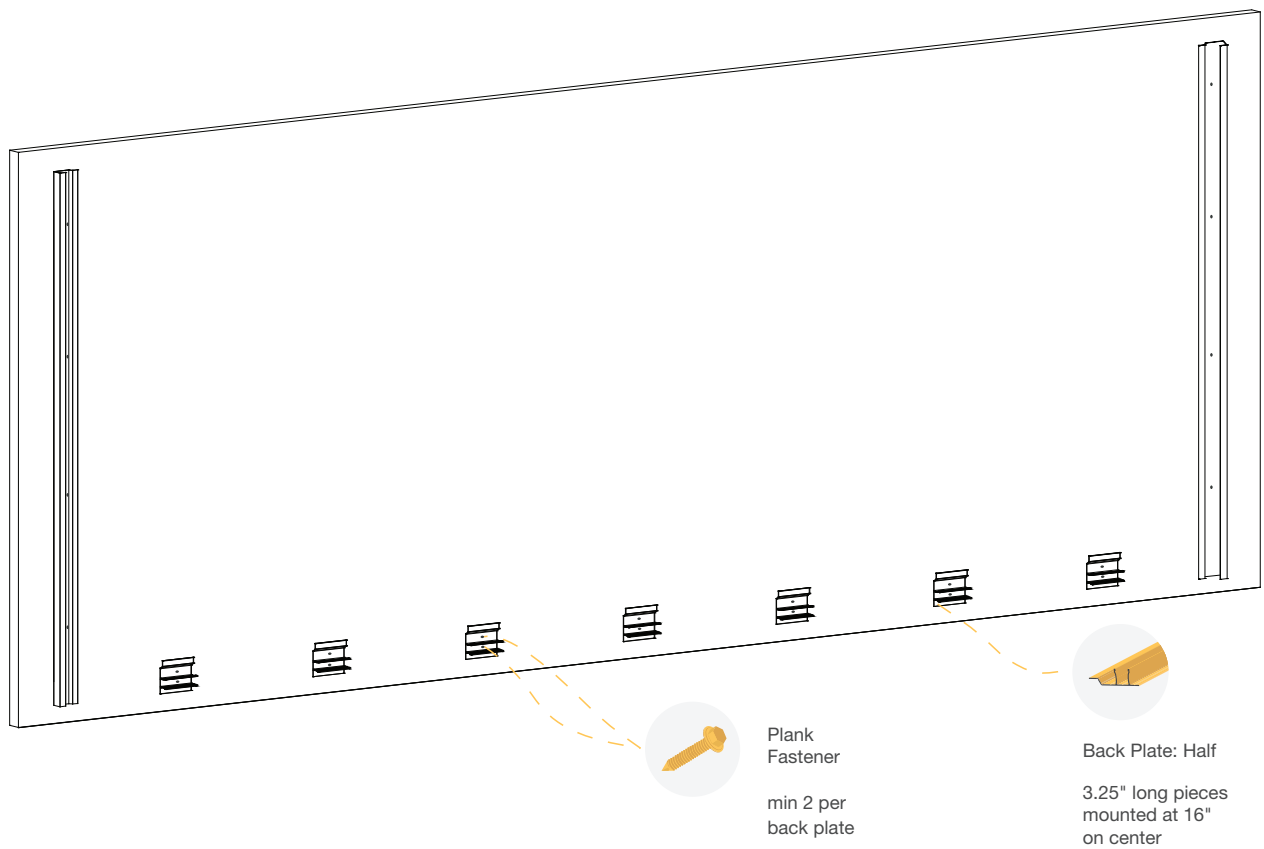


The vertical perimeter extrusions are normally the first extrusions to be fixed to the wall. The building wrap/envelope must be complete to spec before anything goes on the wall. Layout end frame extrusions according to the desired location. Ensure frames are level and plumb before fastening.

Work flow is always from the bottom up. Place the first fastener near the bottom of the vertical extrusion. Once the piece has been leveled, add a second near the top fixing it in place and add subsequent fasteners.

Install 02

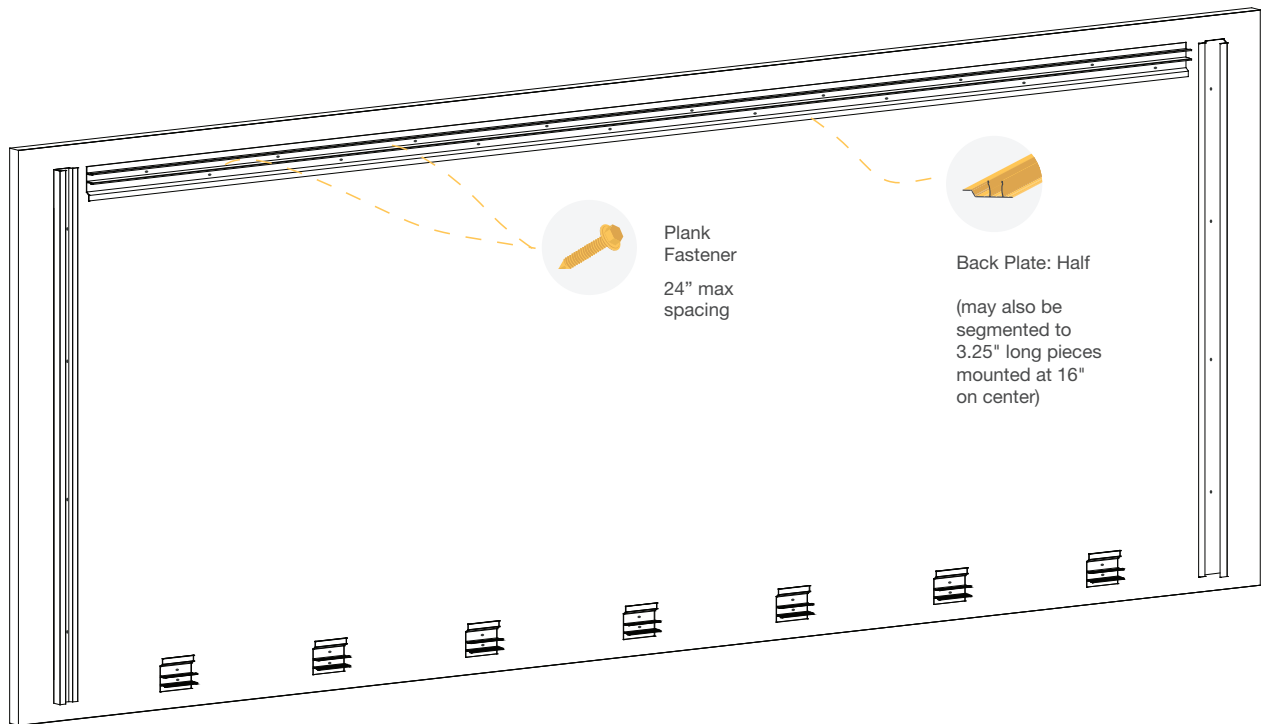
Fasten horizontal baseline extrusions



This will establish the horizontal datum - and will be a reference to subsequent extrusions - so it is important that it is mounted level.

Install 03

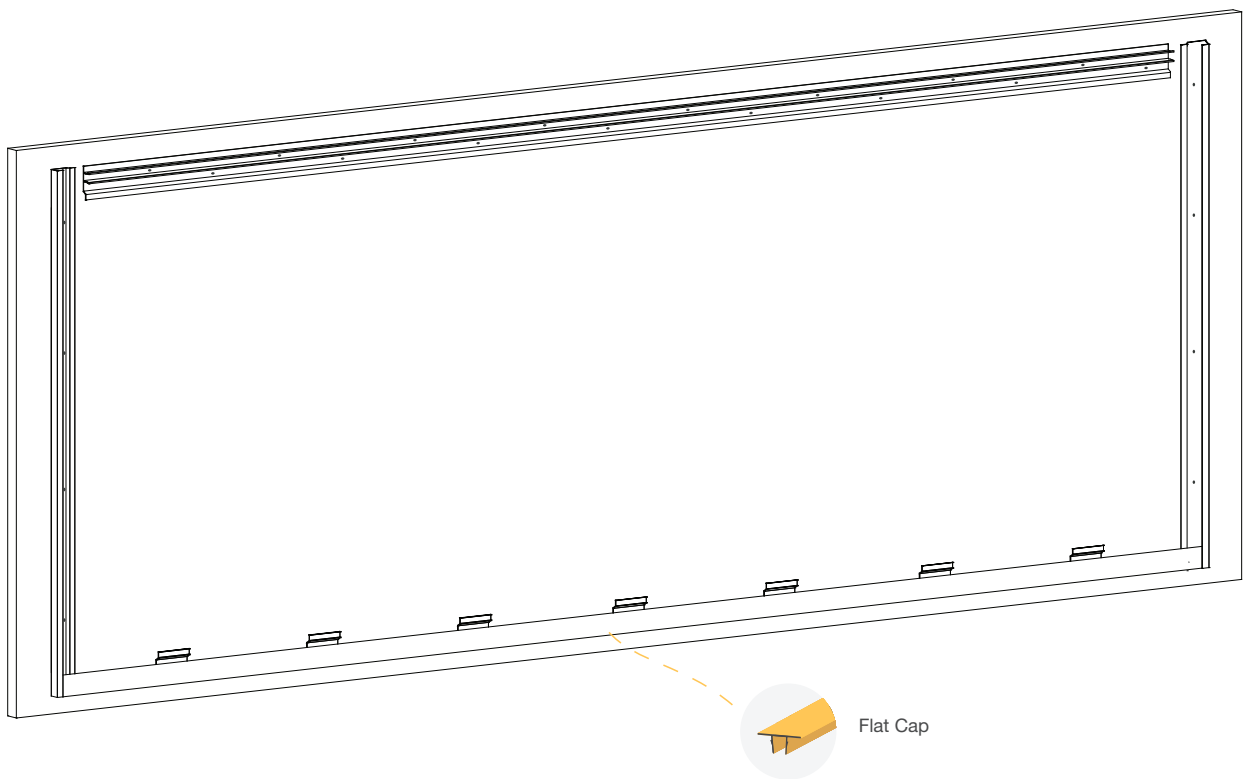
Fasten horizontal upper extrusions



The final perimeter extrusion to be attached is the upper horizontal back plate.

Install 04

Engage baseline flat cap



The flat cap needs to be cut to size and engaged using an AL13[®] SLED before the first row of v-line plank may be installed. A properly fit cap should tuck under both verticals leaving approx. a 1/8" gap on either side to allow for contraction and expansion. If a butt joint is required due to the length of the flat cap exceeding 12', the butt joint **MUST** occur on a shared back plate segment.

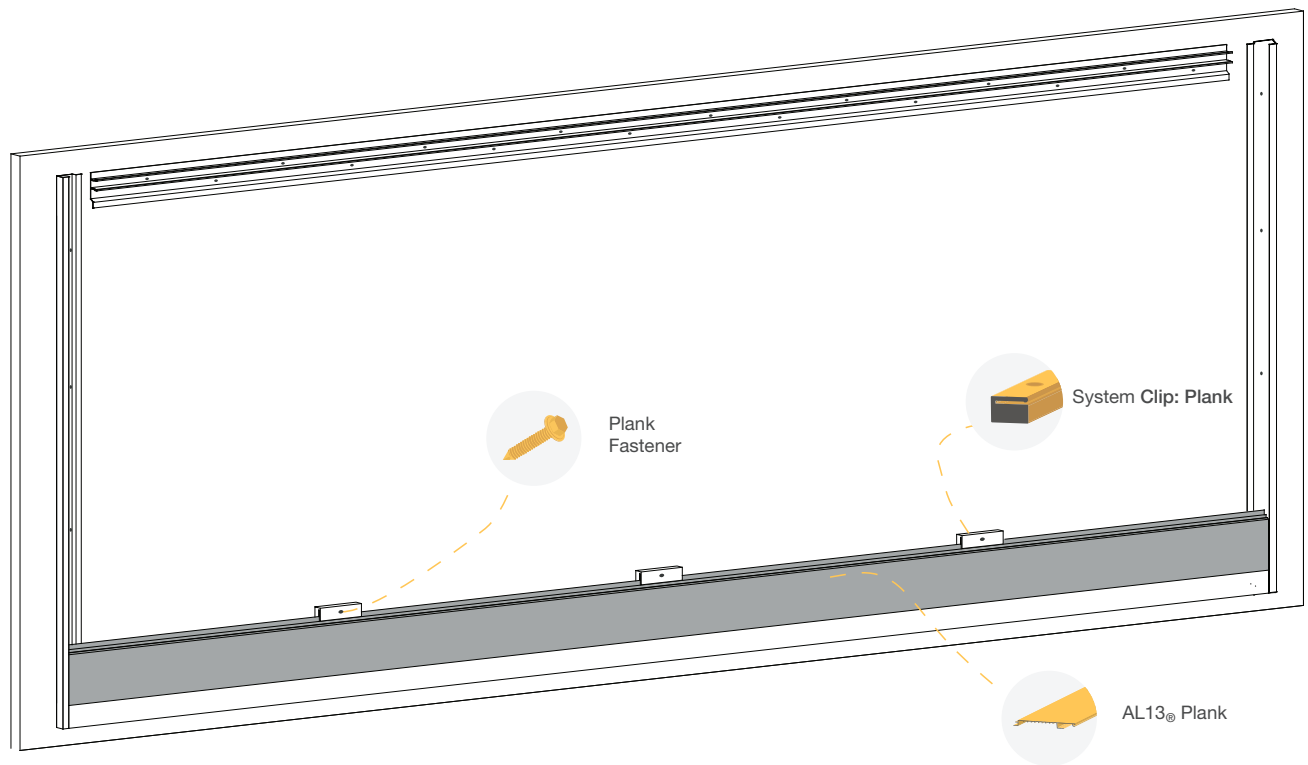
It is only necessary to engage flat cap where the back plate is present. Impacting the flat cap in the voids, between back plates, will cause deformation of the top cap.

Install 05

Installing planks

System Clips

should be installed before the Plank is placed in position on the wall. System Clips / Planks should not be hammered into place under any circumstance.



A properly cut plank should have a 1/8" gap from the components on either side to allow for thermal expansion.

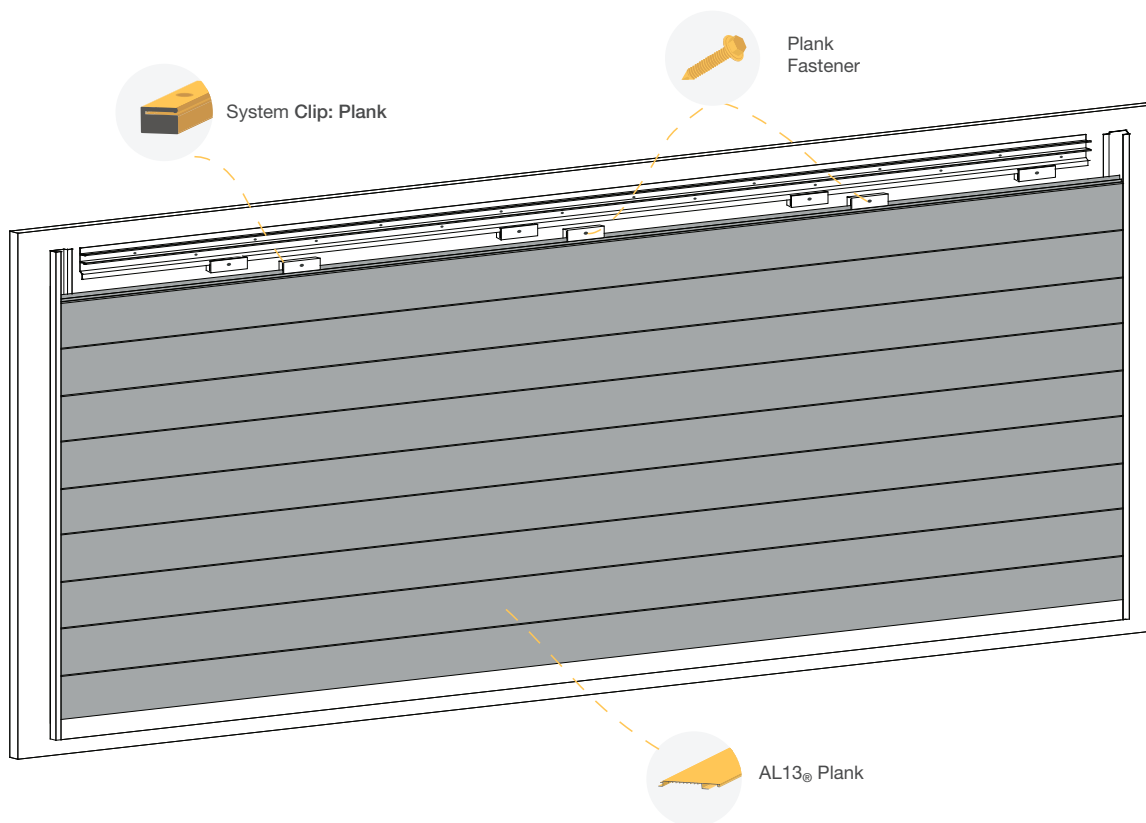
It is essential the first row of plank be tucked behind the vertical tab of the frame components so that the fastening tongue is pointed upwards and the groove is pointing downwards.

Once the plank has been fitted and leveled to an even plane, it will be secured by attaching an AL13® Plank System clip to the upwards pointing tongue. The narrow face of the clip should be pointing away from the wall. Make sure the clip is fully inserted before adding fastener to the through-hole. The function of the clip is to secure the plank in place while spacing it from the wall. The fastener will not penetrate the plank itself. A clip and fastener are to be attached to each plank once every 32" MAX. A minimum of one system clip is required per plank.

The maximum consecutive run of plank will be 24' without a vertical brake. (End frame, flat cap, or reveal cap) If the required length exceeds 12', joining two planks together will be required. A Plank Joint clip is to be used at the seam of the butt joint to ensure a precision fit.

Install 06

Installing the final row of plank

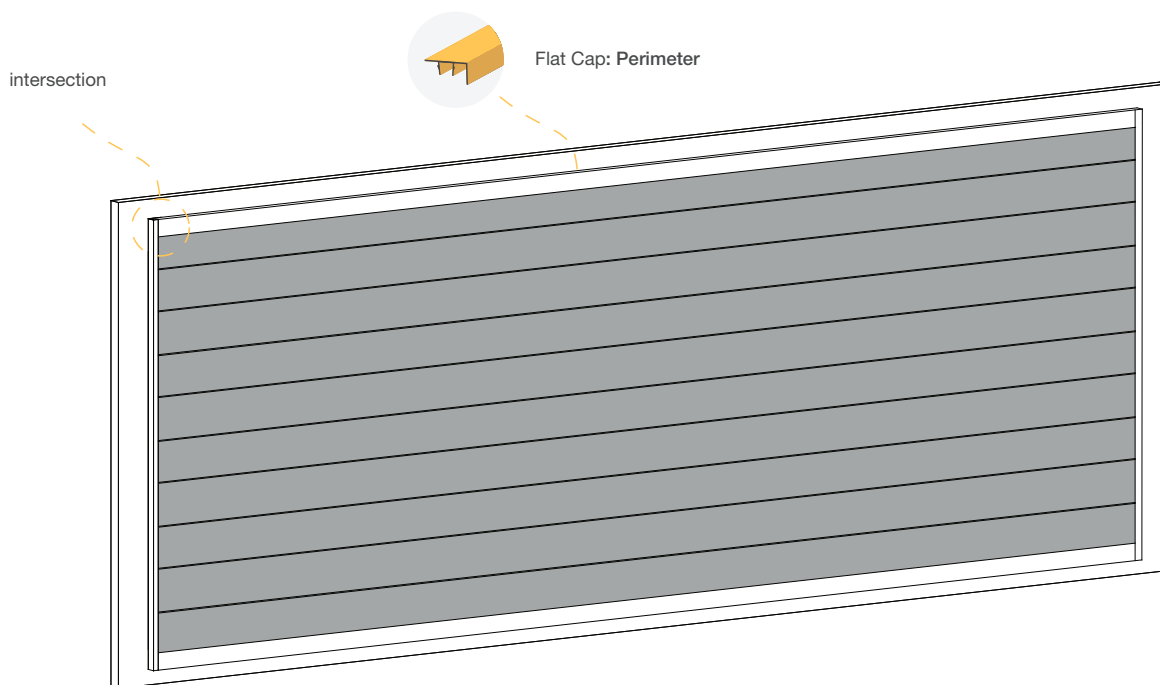


The final or top row to be installed may require the plank to be ripped to width by a table saw to its appropriate dimension. Due to this, the top rows installation may vary from the regular installation.

If it is required to rip the plank down to a narrower width, the tongue side of the plank is to be removed. In the case of the top row of plank will be held in place by securely engaging the perimeter flat cap and a plank system clip is clipped on to the perimeter back plate.

Install 07

Installing the final row of plank



To secure the final row, a Flat Cap: Perimeter must be cut to length to fit behind the vertical frame extrusions. A proper fit should allow for a 1/8" gap on either side to allow for contraction and expansion. The perimeter flat cap should be hammered in place using an AL13® SLED with a rubber mallet.