



Product Name: Back Plate: Universal

Product Code: BPU

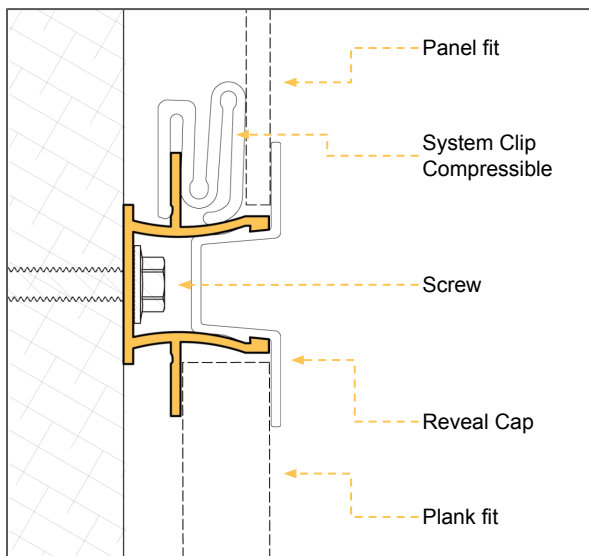
Weight: 0.294lb/ft (0.438kg/m)

Material: A16063-T5

AL13 How-To



Description:

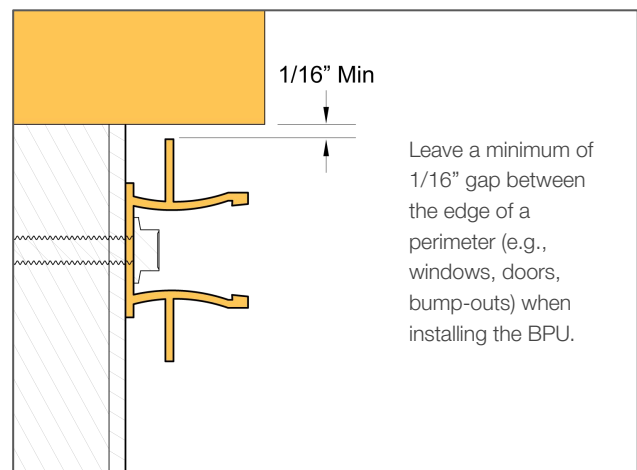
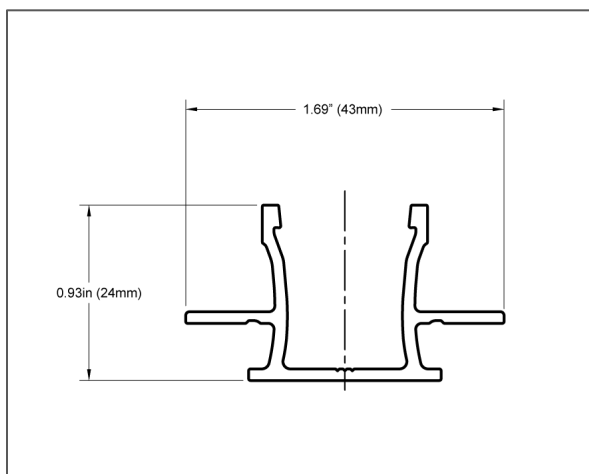


The **Back Plate: Universal (BPU)** anchors the AL13 Panel System® and AL13 Plank System® on to the wall substrate. It is used for both around the perimeter and along the wall, and is used at full length or as 3.25" segments. The BPU is compatible with the following top caps:

- Flat Cap (FC)
- Flat Cap: Perimeter (FCP)
- Reveal Cap (RC)
- Reveal Cap: Perimeter (RCP)

Note: Use fasteners appropriate for the substrate. Refer to the Installation Guides on al13.com for further details.

Dimensions:





Product Name: Back Plate: Universal

Product Code: BPU

Weight: 0.294lb/ft (0.438kg/m)

Material: A16063-T5

AL13 How-To



Usage Examples:

Examples show locations of where the BPU can be used. Wall assembly shown is for illustration purposes only. Follow building instructions as per project architect/engineer.

