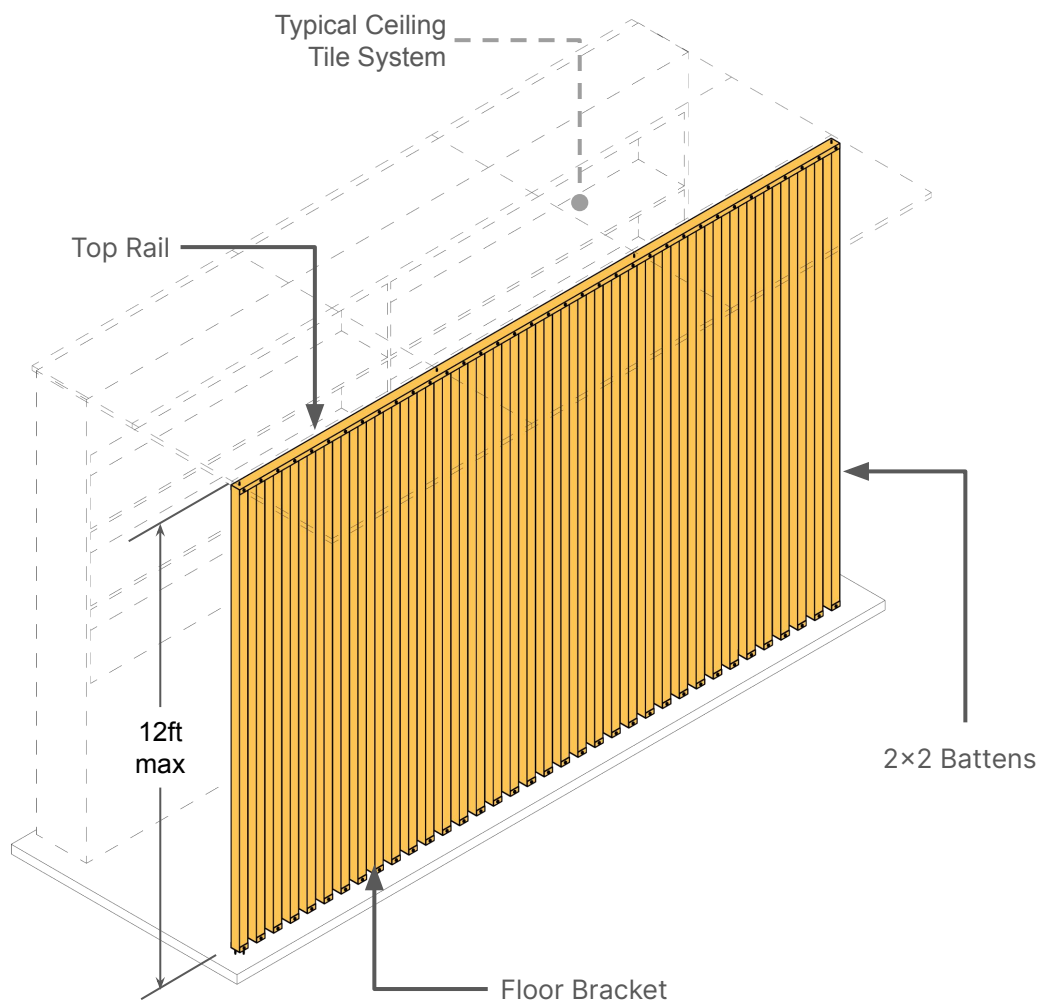


AL13 2"x2" Privacy Screen

Batten Size: 2×2

Batten Gap: 2in

The AL13 2×2 Privacy Screen redefines spatial boundaries within interior spaces, standing tall from floor to ceiling. The screen's wood look seamlessly blends into any room and adds warmth into any space. Each 2×2 batten mounts onto the floor through a galvanized steel bracket and mounts to the ceiling through an upper aluminum bracket that can adapt to existing ceiling framing systems.



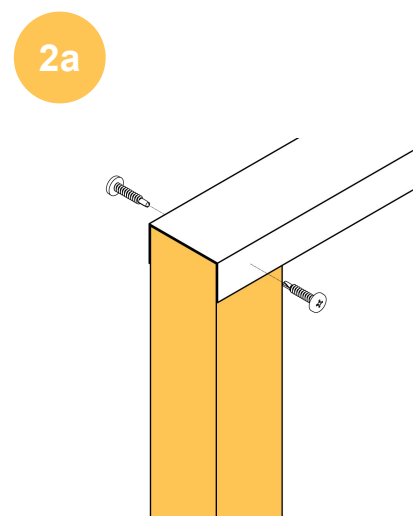
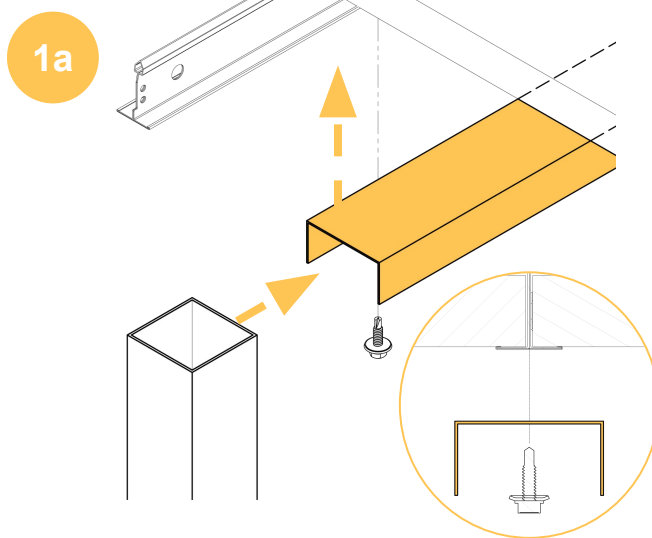
AL13 2"x2" Privacy Screen

Batten Size: 2x2

Batten Gap: 2in

Privacy Screen Assembly Instructions

Ceiling



Floor

