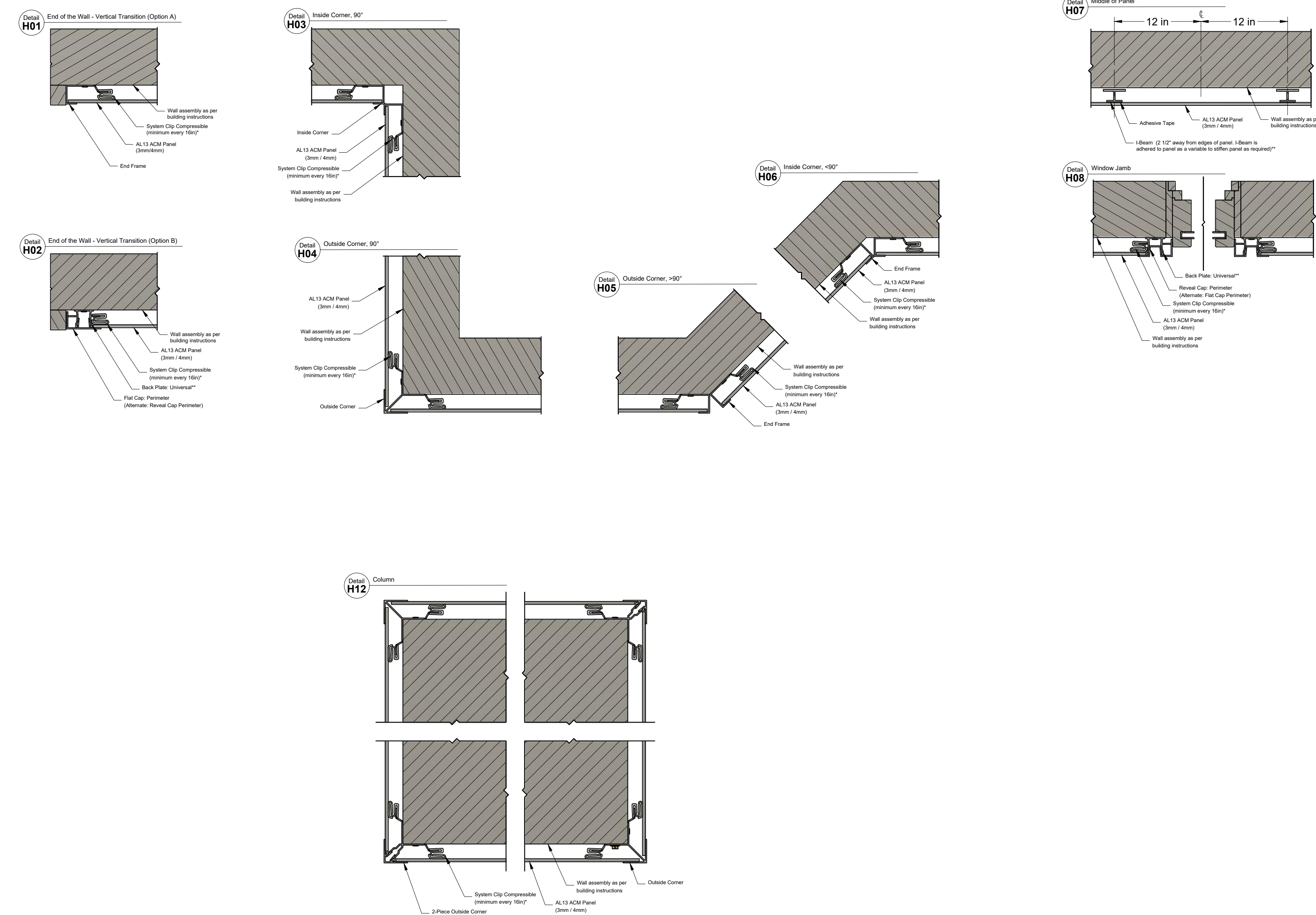


# WALL DETAILS INDEX: HORIZONTAL SECTIONS

SCALE 1:4

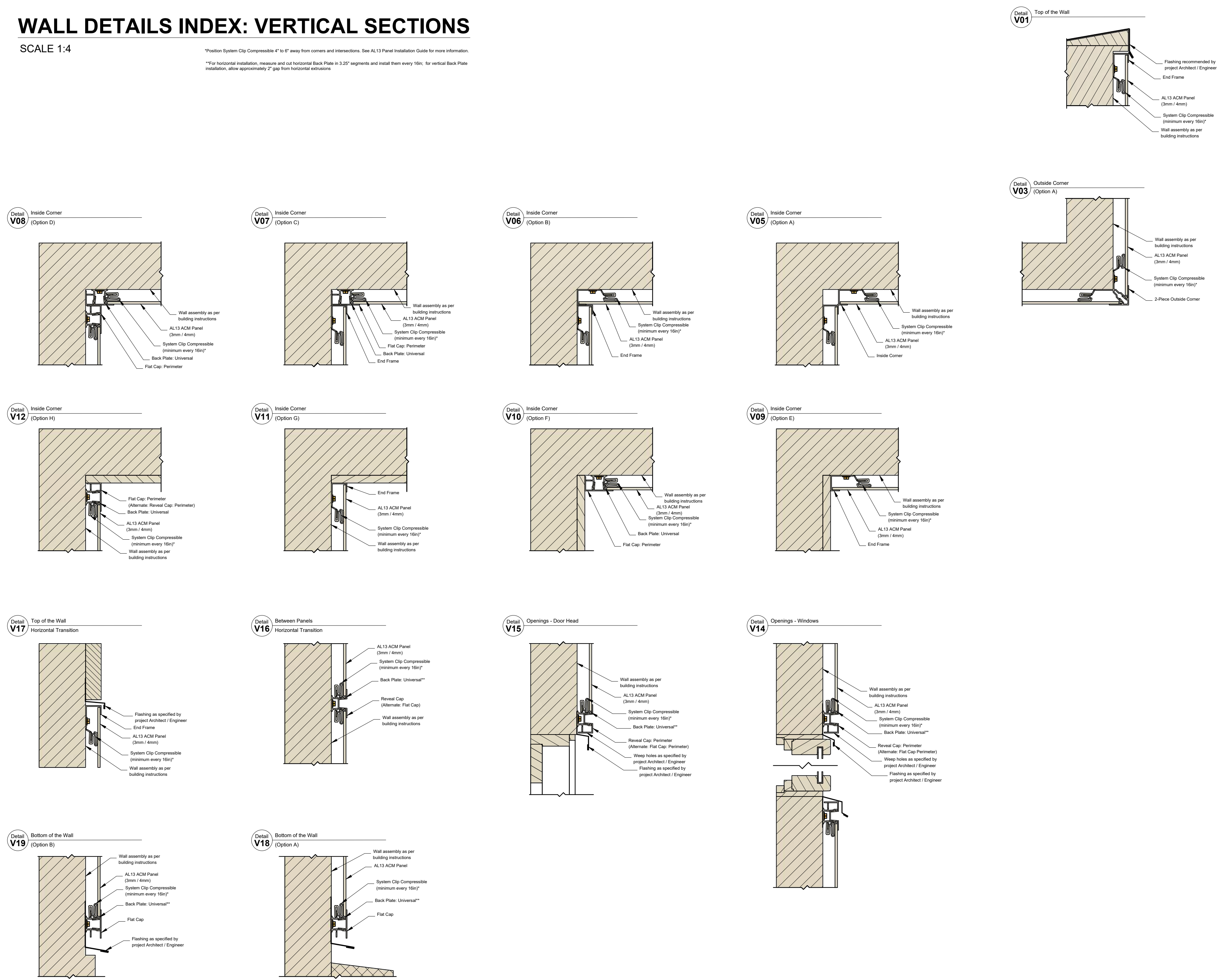
\*The horizontal insulation, membrane and all horizontal Back Panel is 3/32" segments and install them every 16". For vertical Back Panel installation, allow approximately 2" gap from horizontal extrusions.



# WALL DETAILS INDEX: VERTICAL SECTIONS

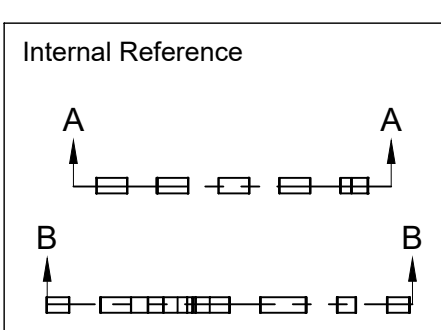
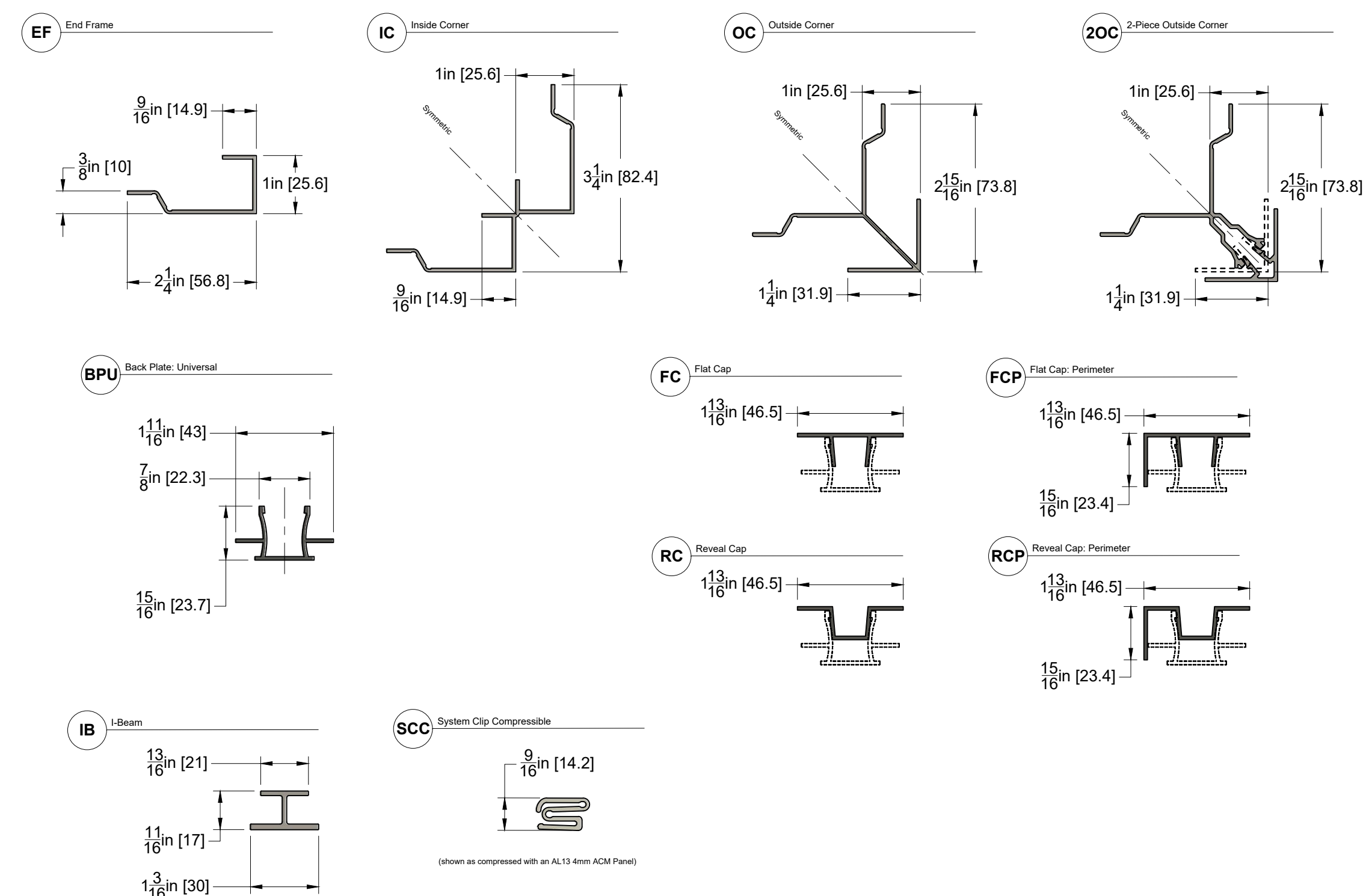
SCALE 1:4

\*The horizontal insulation, membrane and all horizontal Back Panel is 3/32" segments and install them every 16". For vertical Back Panel installation, allow approximately 2" gap from horizontal extrusions.



# EXTRUSIONS AND SYSTEM CLIPS

SCALE 1:2



1278 Cliveden Ave  
Delta, BC V3M 6G4  
Tel: +1-604-428-2513  
Mail: info@al13.com  
URL: al13.com

# WALL DETAILS INDEX: HORIZONTAL SECTIONS

**NOTE:**

The contractor / builder must verify all dimensions on the job and report any discrepancy to the designer before proceeding with the work.

All drawings and specifications are instruments of service and the copyright property of the designer and must be returned upon request.

**AL13® Panel System Details**

DESCRIPTION

WALL DETAILS INDEX  
HORIZONTAL SECTIONS

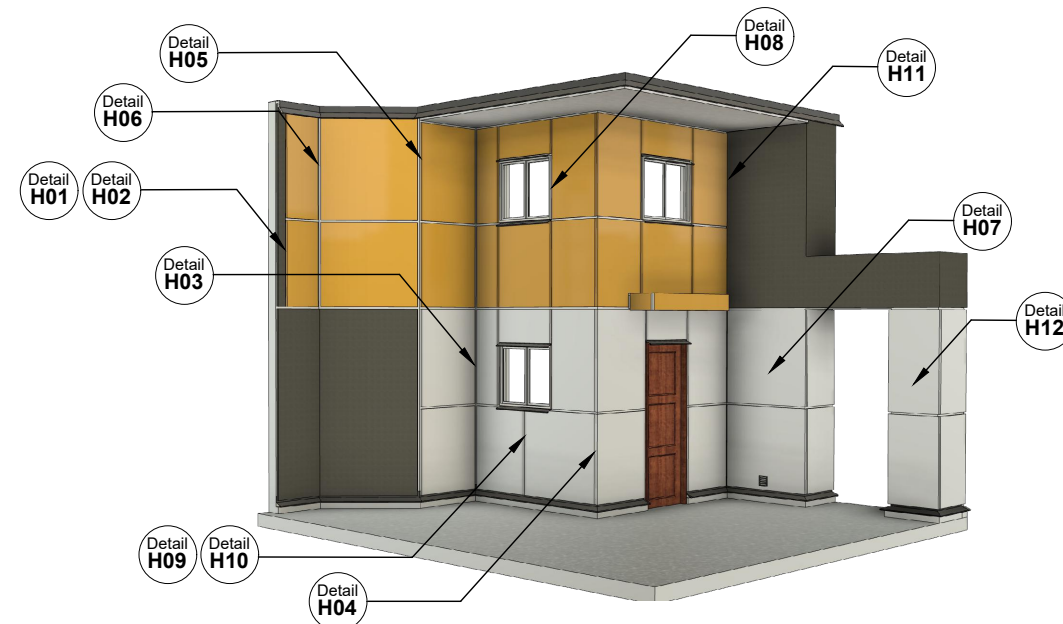
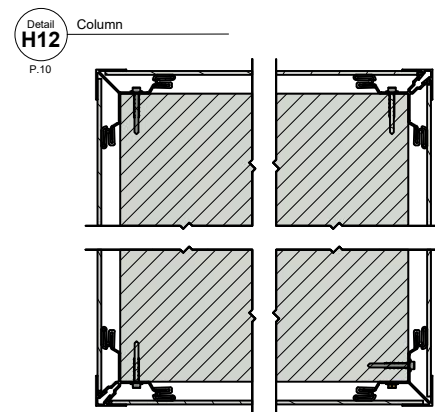
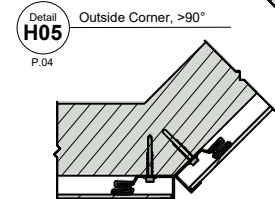
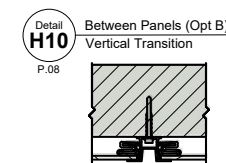
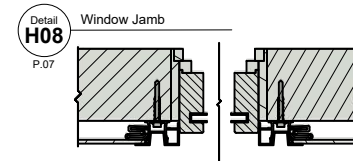
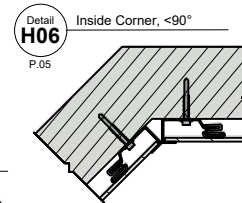
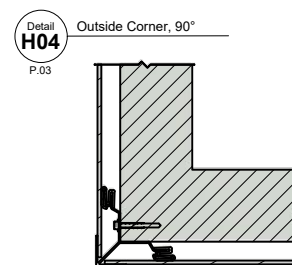
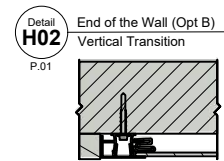
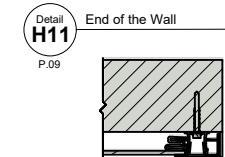
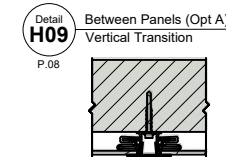
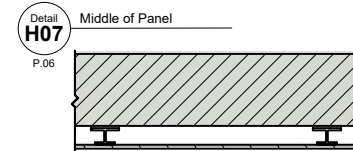
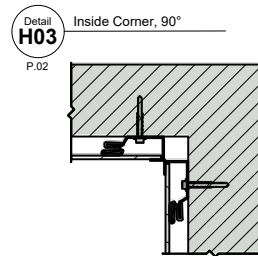
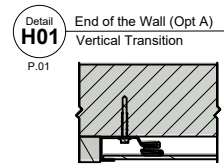
SCALE  
1:8

REF  
C  
C

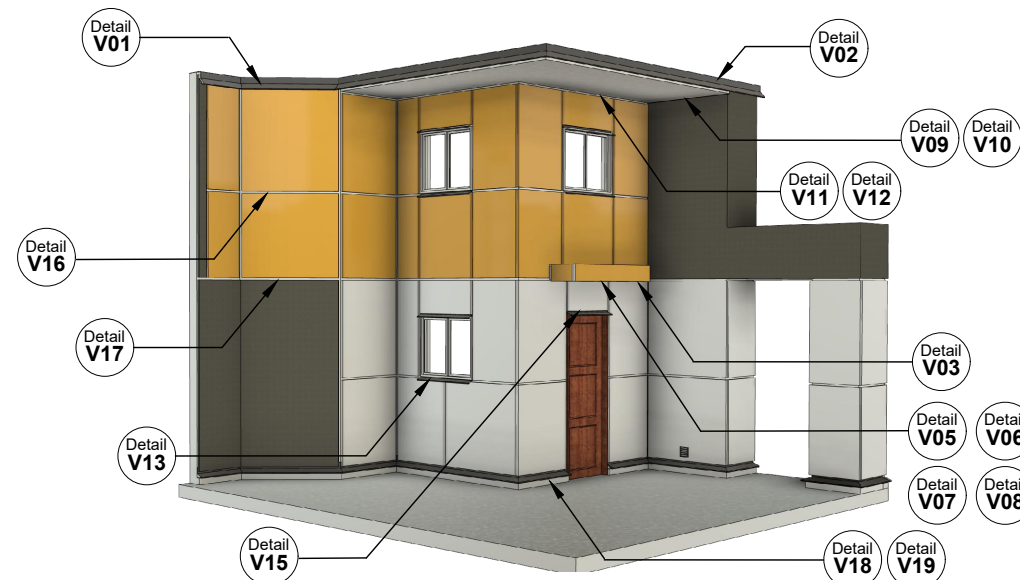
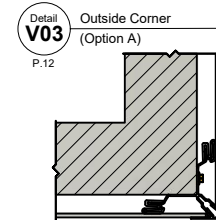
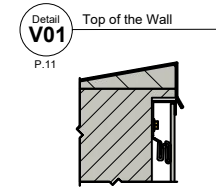
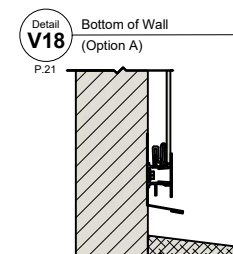
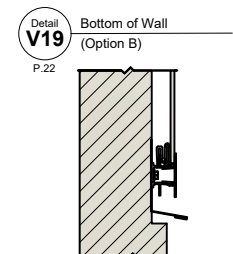
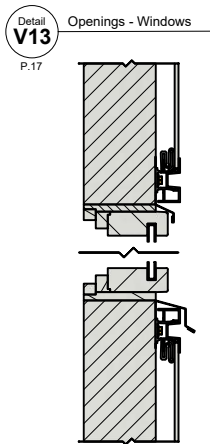
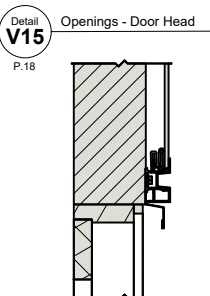
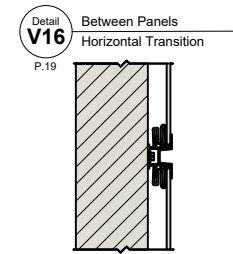
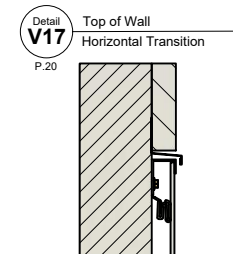
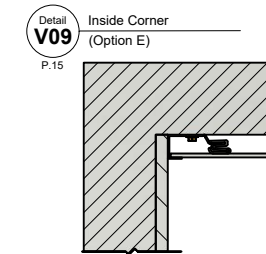
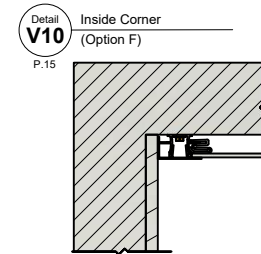
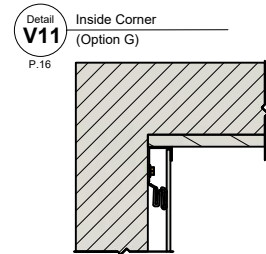
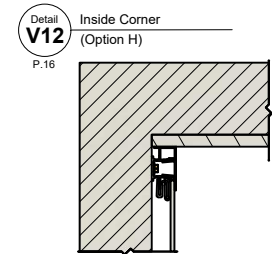
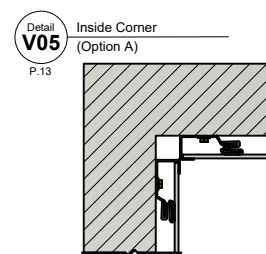
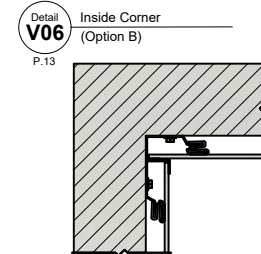
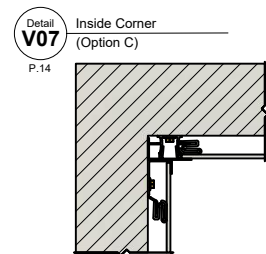
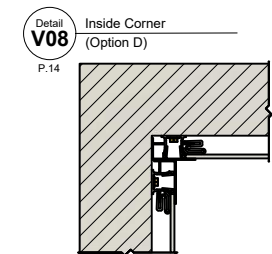
DRAWING NUMBER

**A**

VERSION  
MAR 2022



# WALL DETAILS INDEX: VERTICAL SECTIONS



**NOTE:**

The contractor / builder must verify all dimensions on the job and report any discrepancy to the designer before proceeding with the work.

All drawings and specifications are instruments of service and the copyright property of the designer and must be returned upon request.

**AL13® Panel System Details**

DESCRIPTION

WALL DETAILS INDEX  
VERTICAL SECTION

SCALE  
1:8

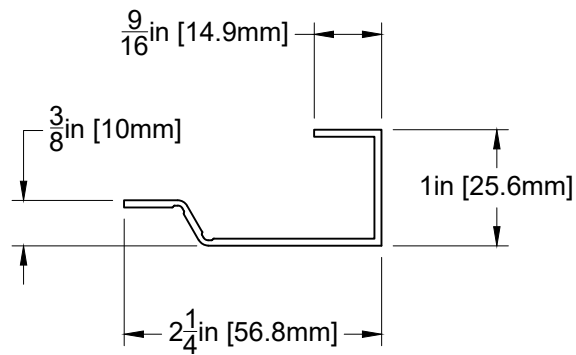
REF  
A  
A

DRAWING NUMBER

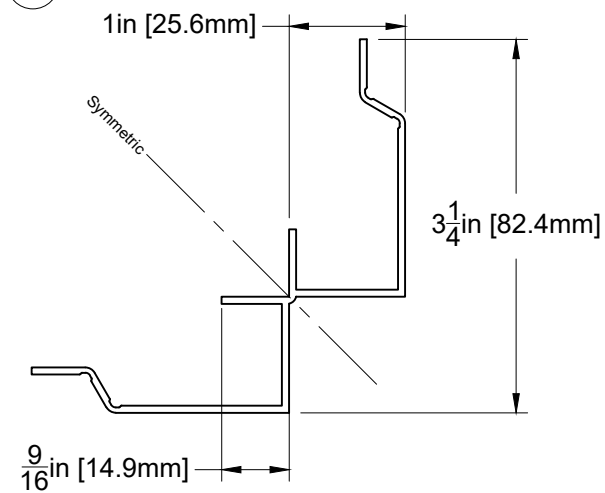
**B**

VERSION  
MAR 2022

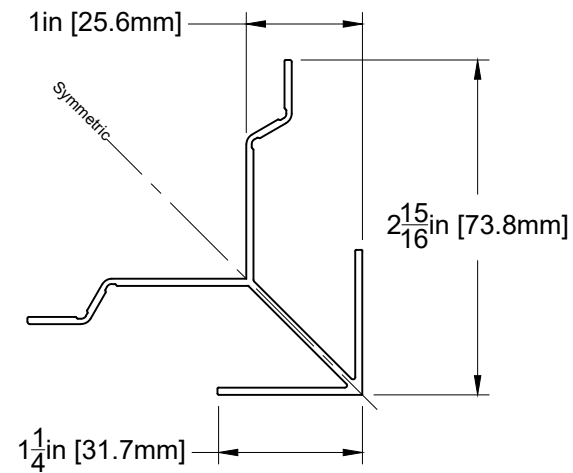
**EF** End Frame



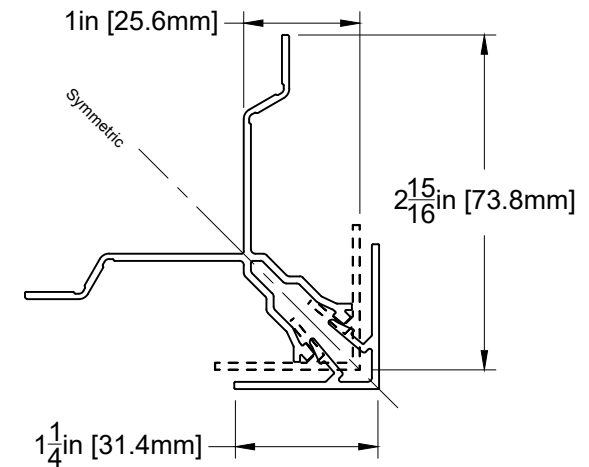
**IC** Inside Corner



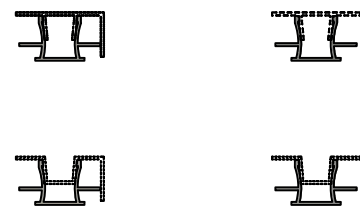
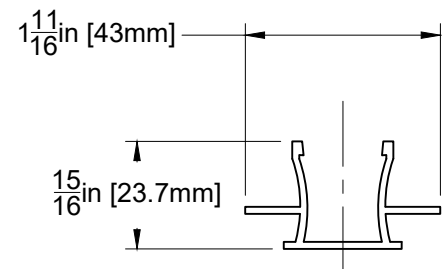
**OC** Outside Corner



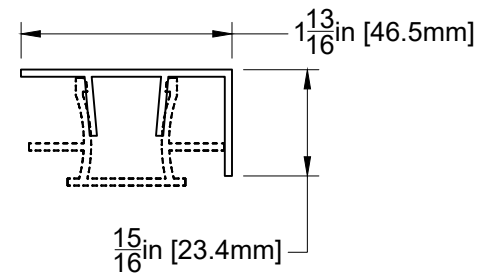
**2OC** 2-Piece Outside Corner



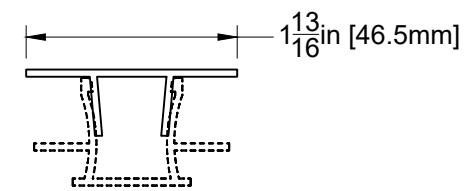
**BPU** Back Plate: Universal



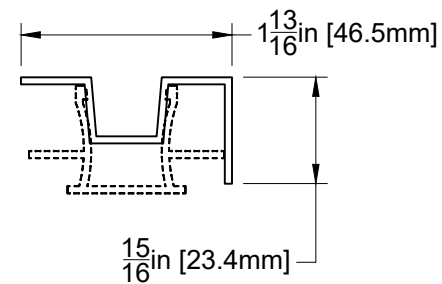
**FCP** Flat Cap: Perimeter (Coated)



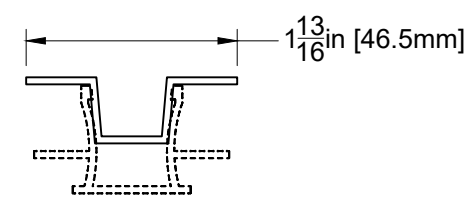
**FC** Flat Cap (Coated)



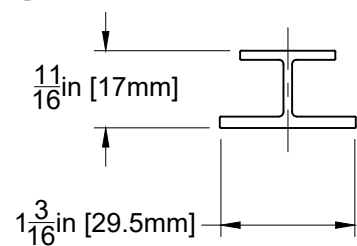
**RCP** Reveal Cap: Perimeter (Coated)



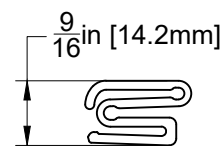
**RC** Reveal Cap (Coated)



**IB** I-Beam (Uncoated)



**SCC** System Clip Compressible



(Shown when used with an AL13 4mm ACM Panel)

**NOTE:**

The contractor / builder must verify all dimensions on the job and report any discrepancy to the designer before proceeding with the work.

All drawings and specifications are instruments of service and the copyright property of the designer and must be returned upon request.

**AL13® Panel System Details**

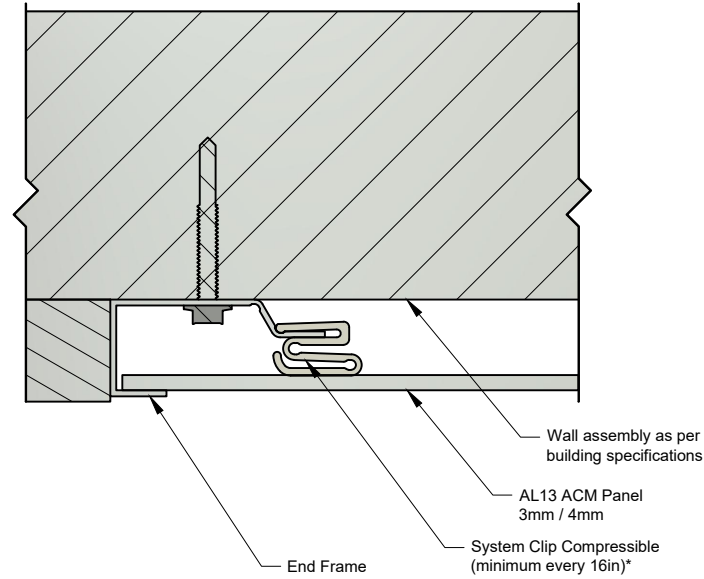
DESCRIPTION

GENERIC DETAIL  
EXTRUSIONS AND CLIPS

SCALE	REF	DRAWING NUMBER
0.6		<b>C</b>
VERSION		
MAR 2022		

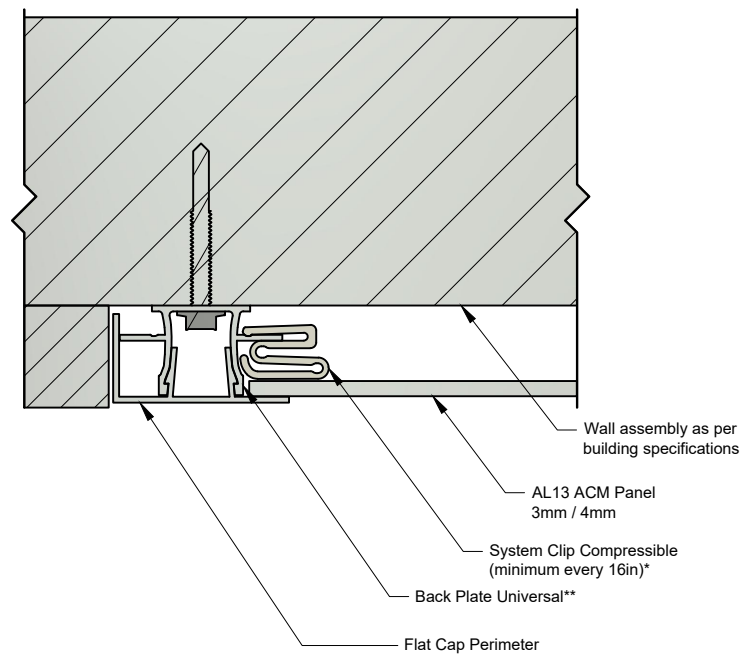
Detail  
**H01**

End of the Wall - Vertical Transition (Option A)



Detail  
**H02**

End of the Wall - Vertical Transition (Option B)

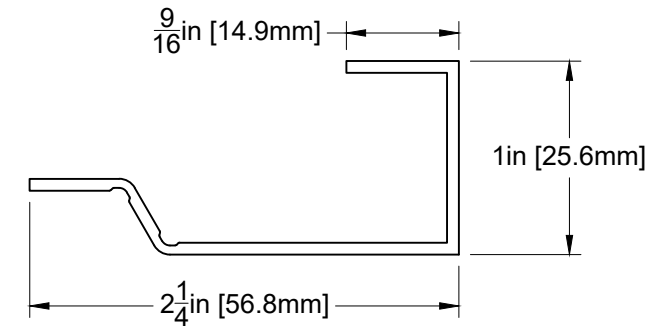


\*Position System Clip Compressible 4" to 6" away from corners and intersections. See AL13 Panel Installation Guide for more information.

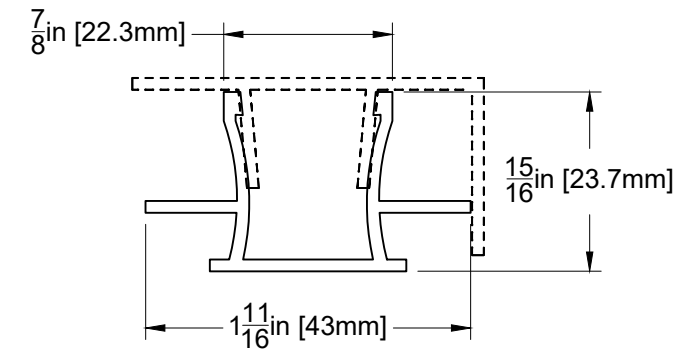
\*\*For vertical Back Plate installation, allow approximately 2" gap from horizontal extrusions

EXTRUSIONS USED  
Scale 1:1

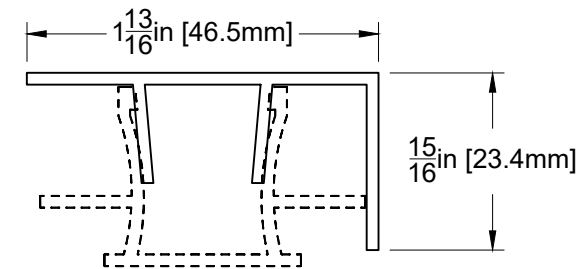
**EF** End Frame



**BPU** Back Plate: Universal



**FCP** Flat Cap: Perimeter



1278 Cliveden Avenue  
Delta, BC V3M 6G4  
Canada

Tel: +1-604-428-2513  
Mail: info@al13.com  
URL: al13.com

NOTE:

The contractor / builder must verify all dimensions on the job and report any discrepancy to the designer before proceeding with the work.

All drawings and specifications are instruments of service and the copyright property of the designer and must be returned upon request.

AL13® Panel  
System Details

DESCRIPTION

GENERIC DETAIL  
HORIZONTAL SECTION

END OF THE WALL  
VERTICAL TRANSITION

Detail  
**H01**

Detail  
**H01**

Detail  
**H02**



SCALE  
1:2

REF  
B  
B

DRAWING  
NUMBER

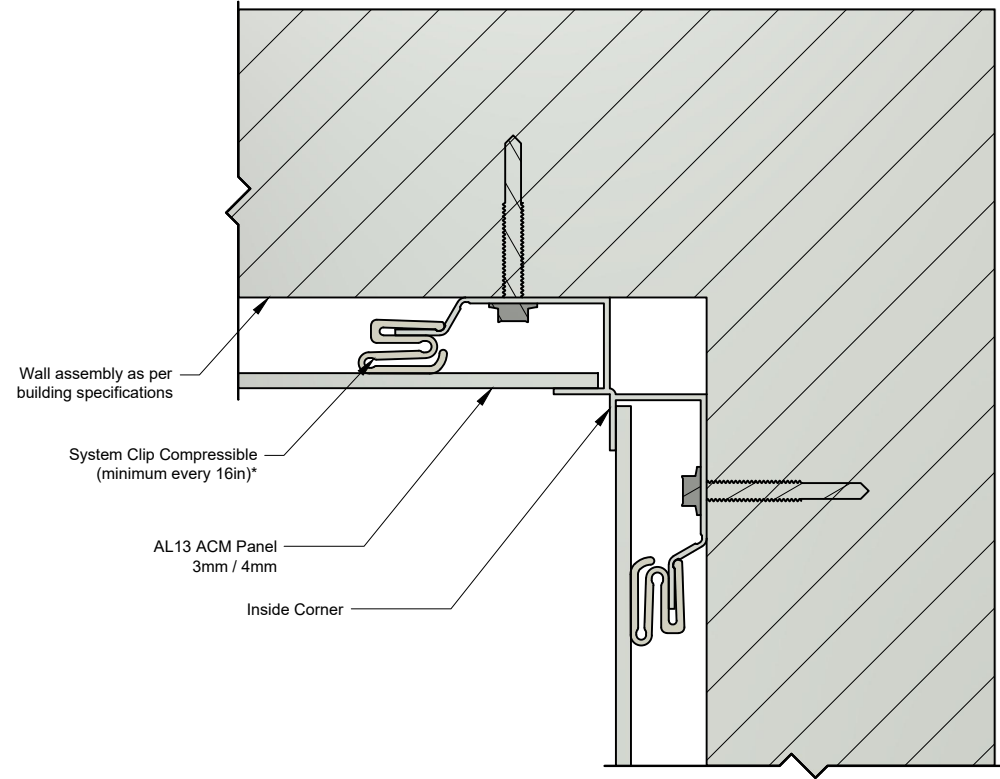
VERSION  
MAR 2022

D  
D

**01**

Detail  
**H03**

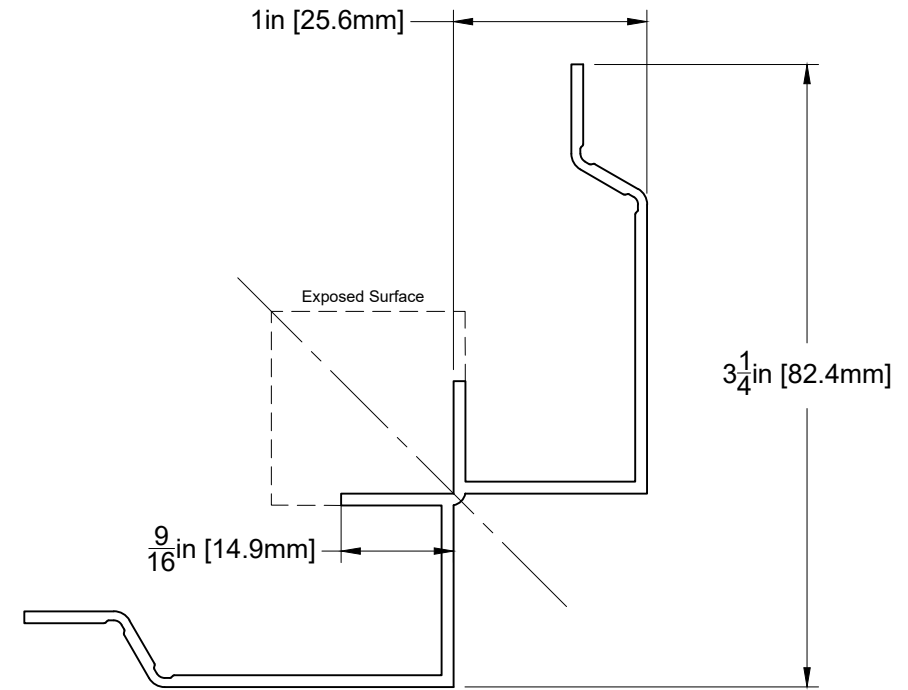
Inside Corner, 90°



\*Position System Clip Compressible 4" to 6" away from corners and intersections. See AL13 Panel Installation Guide for more information.

EXTRUSIONS USED  
Scale 1:1

**IC** Inside Corner



1278 Cliveden Avenue  
Delta, BC V3M 6G4  
Canada

Tel: +1-604-428-2513  
Mail: info@al13.com  
URL: al13.com

NOTE:

The contractor / builder must verify all dimensions on the job and report any discrepancy to the designer before proceeding with the work.

All drawings and specifications are instruments of service and the copyright property of the designer and must be returned upon request.

AL13® Panel  
System Details

DESCRIPTION

GENERIC DETAIL  
HORIZONTAL SECTION  
INSIDE CORNER, 90°

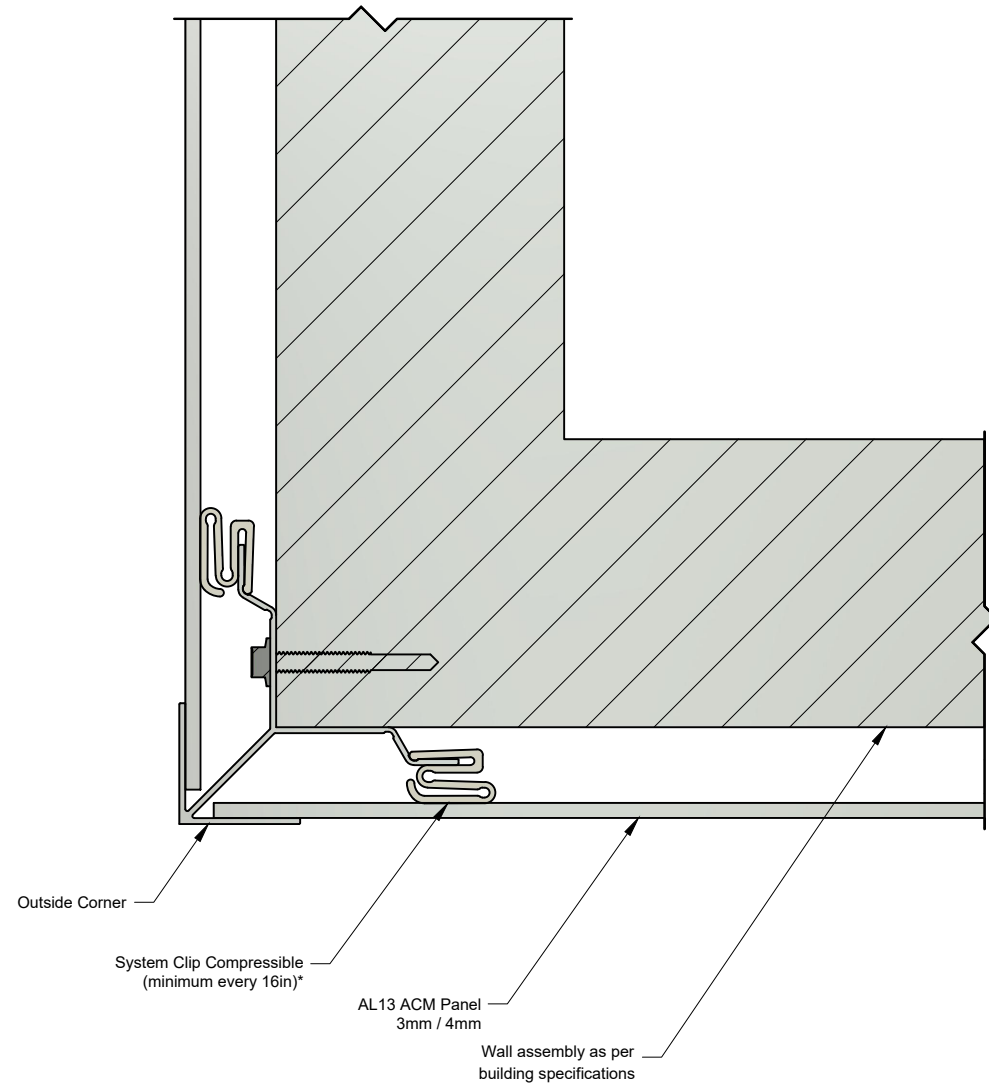
Detail  
**H03**



SCALE	REF	DRAWING NUMBER
1:2	E ←	<b>02</b>
VERSION MAR 2022	E ←	

Detail  
**H04**

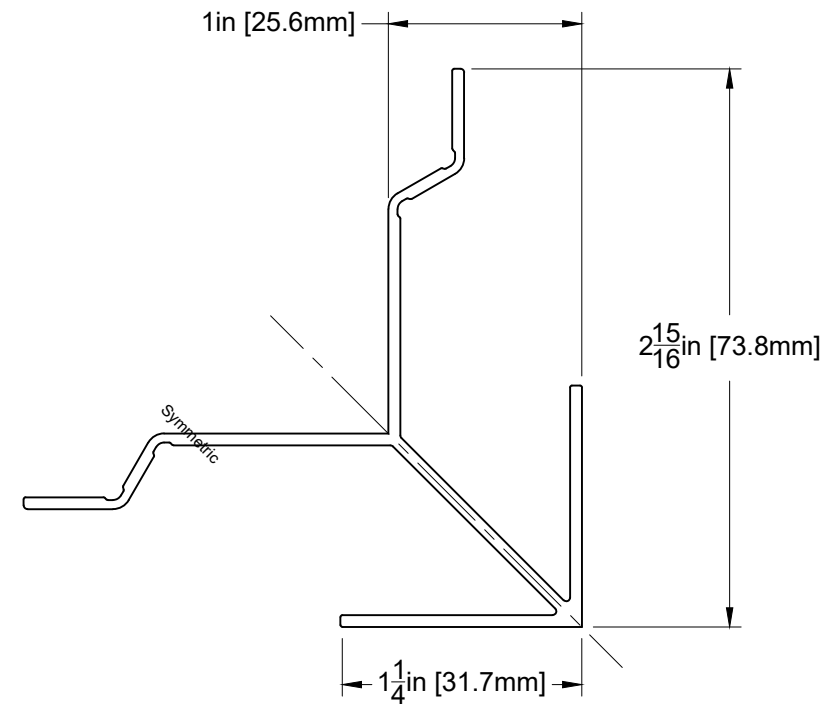
Outside Corner, 90°



\*Position System Clip Compressible 4" to 6" away from corners and intersections. See AL13 Panel Installation Guide for more information.

EXTRUSIONS USED  
Scale 1:1

IC Outside Corner



**AL13** architectural systems.

1278 Cliveden Avenue  
Delta, BC V3M 6G4  
Canada

Tel: +1-604-428-2513  
Mail: info@al13.com  
URL: al13.com

NOTE:

The contractor / builder must verify all dimensions on the job and report any discrepancy to the designer before proceeding with the work.

All drawings and specifications are instruments of service and the copyright property of the designer and must be returned upon request.

AL13® Panel  
System Details

DESCRIPTION

GENERIC DETAIL  
HORIZONTAL SECTION  
OUTSIDE CORNER, 90°

Detail  
**H04**

Detail  
**H04**

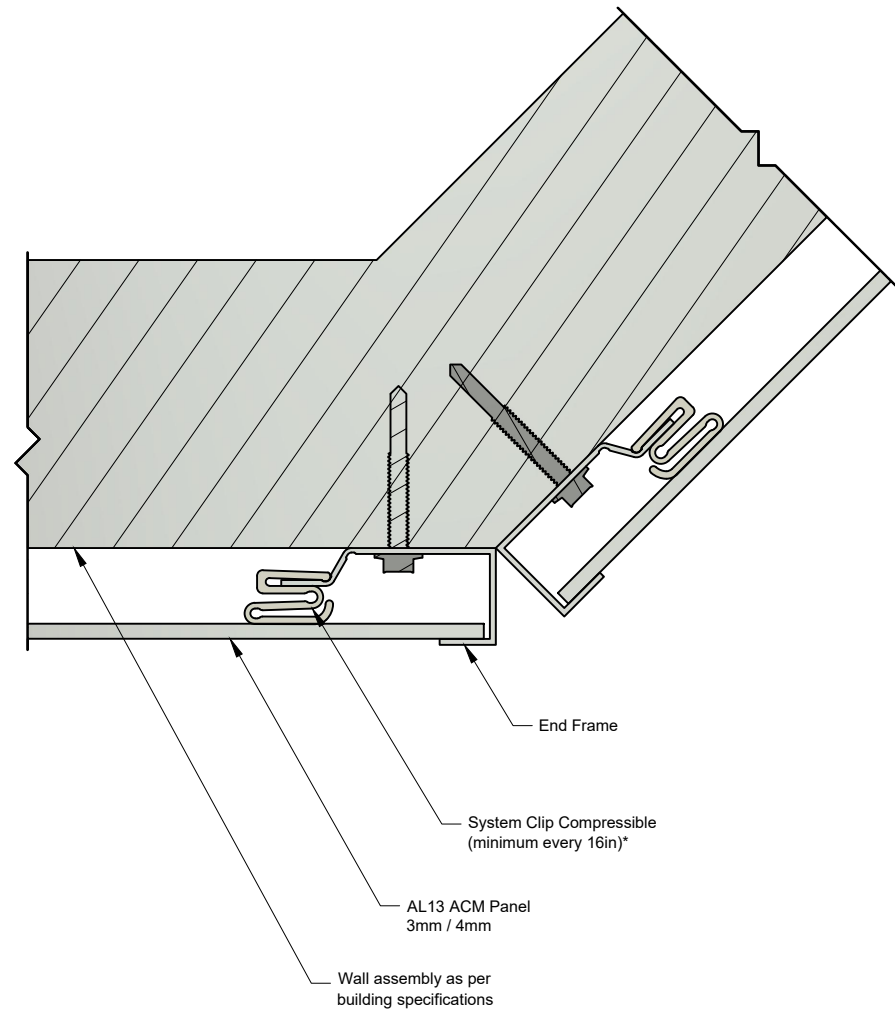


SCALE  
1:2  
VERSION  
MAR 2022

REF  
F  
F

DRAWING NUMBER  
**03**

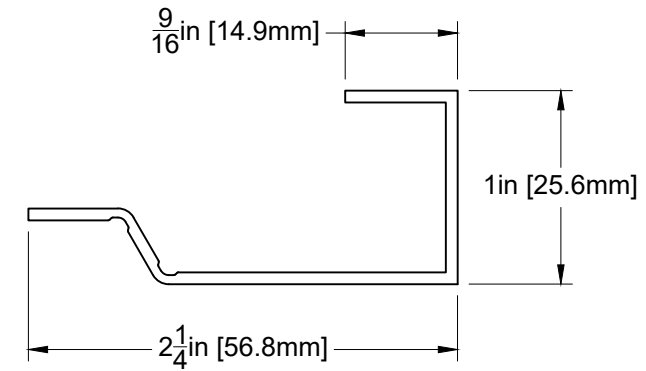
Detail **H05** Outside Corner, > 90°



\*Position System Clip Compressible 4" to 6" away from corners and intersections. See AL13 Panel Installation Guide for more information.

EXTRUSIONS USED  
Scale 1:1

**EF** End Frame



1278 Cliveden Avenue  
Delta, BC V3M 6G4  
Canada

Tel: +1-604-428-2513  
Mail: info@al13.com  
URL: al13.com

NOTE:

The contractor / builder must verify all dimensions on the job and report any discrepancy to the designer before proceeding with the work.

All drawings and specifications are instruments of service and the copyright property of the designer and must be returned upon request.

AL13® Panel  
System Details

DESCRIPTION

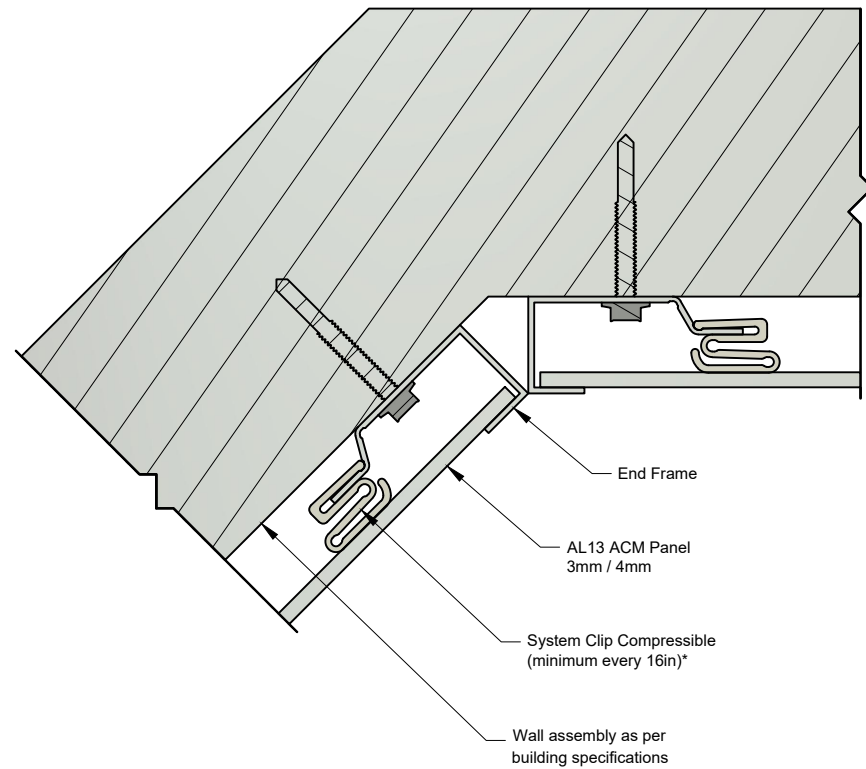
GENERIC DETAIL  
HORIZONTAL SECTION  
OUTSIDE CORNER, >90°



SCALE	REF	DRAWING NUMBER
1:2	G	<b>04</b>
VERSION MAR 2022	G	

Detail  
**H06**

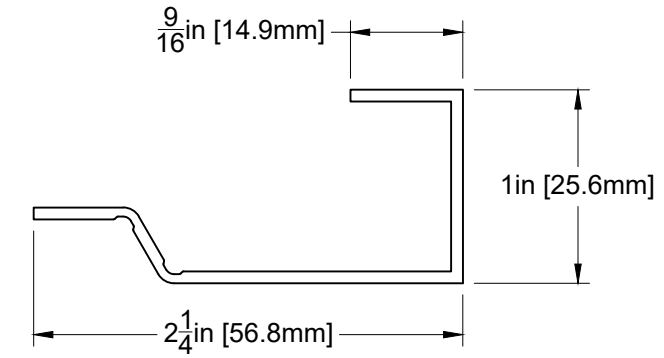
Inside Corner, < 90°



\*Position System Clip Compressible 4" to 6" away from corners and intersections. See AL13 Panel Installation Guide for more information.

EXTRUSIONS USED  
Scale 1:1

EF End Frame



1278 Cliveden Avenue  
Delta, BC V3M 6G4  
Canada

Tel: +1-604-428-2513  
Mail: info@al13.com  
URL: al13.com

NOTE:

The contractor / builder must verify all dimensions on the job and report any discrepancy to the designer before proceeding with the work.

All drawings and specifications are instruments of service and the copyright property of the designer and must be returned upon request.

AL13® Panel  
System Details

DESCRIPTION

GENERIC DETAIL  
HORIZONTAL SECTION  
INSIDE CORNER, <90°

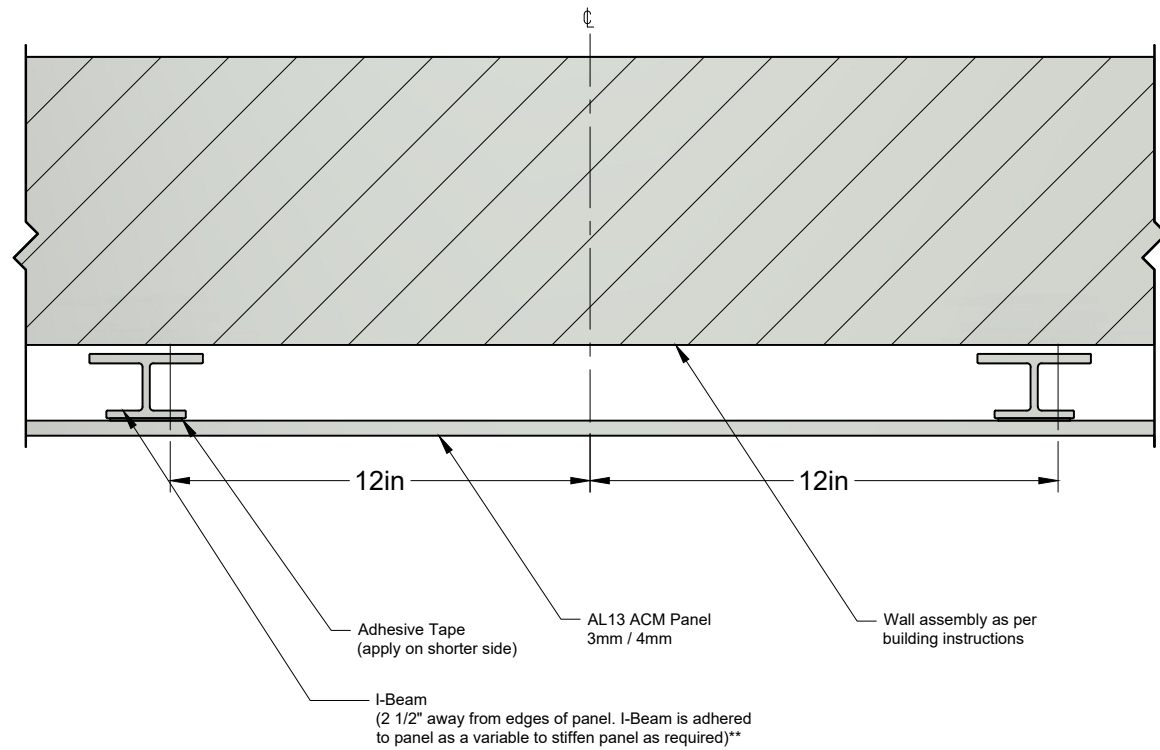
Detail  
**H06**

Detail  
**H06**



SCALE	REF	DRAWING NUMBER
1:1		<b>05</b>
VERSION MAR 2022		

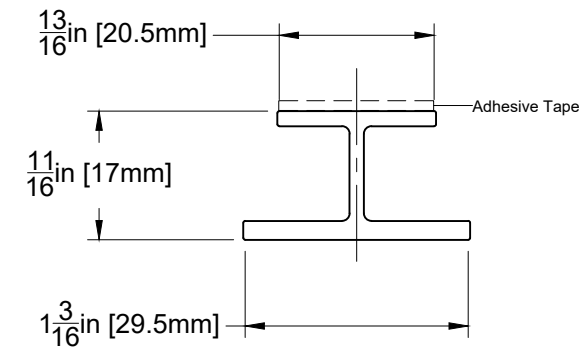
Detail **H07** Middle of Panel



\*\* See AL13 Panel Installation Guide for more information.

EXTRUSIONS USED  
Scale 1:1

**IB** I-Beam



1278 Cliveden Avenue  
Delta, BC V3M 6G4  
Canada

Tel: +1-604-428-2513  
Mail: info@al13.com  
URL: al13.com

NOTE:

The contractor / builder must verify all dimensions on the job and report any discrepancy to the designer before proceeding with the work.

All drawings and specifications are instruments of service and the copyright property of the designer and must be returned upon request.

AL13® Panel System Details

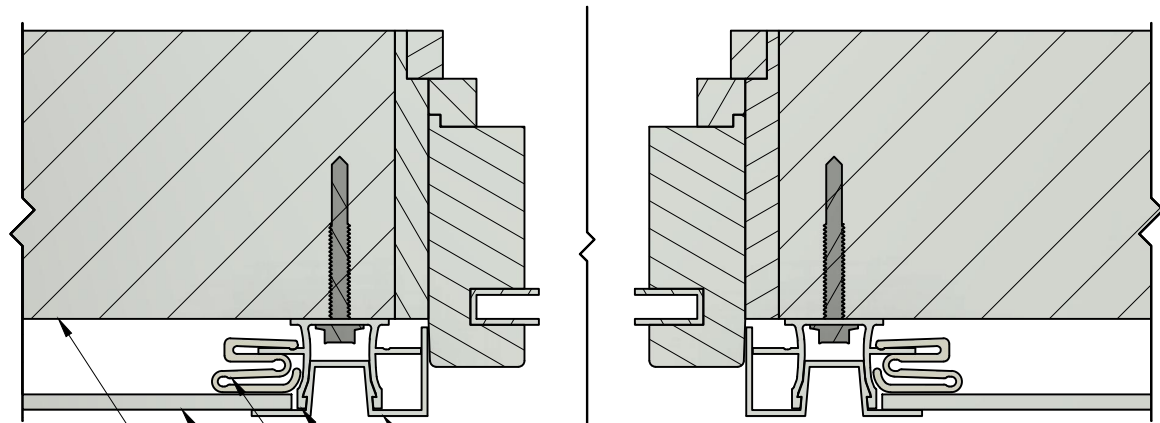
DESCRIPTION

GENERIC DETAIL  
HORIZONTAL SECTION  
MIDDLE OF PANEL



SCALE	REF	DRAWING NUMBER
1:2	M	06
VERSION	MAR 2022	

Detail **H08** Opening - Window Jamb



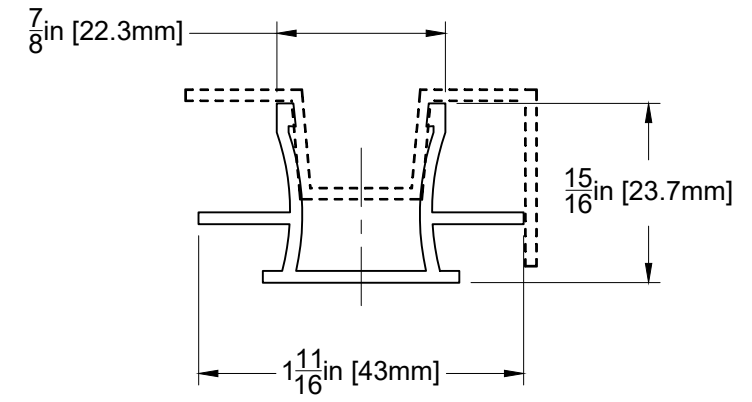
- Reveal Cap: Perimeter  
(Alternate: Flat Cap: Perimeter)
- Back Plate: Universal\*\*
- System Clip Compressible  
(minimum every 16in)\*
- AL13 ACM Panel  
3mm / 4mm
- Wall assembly as per  
building specifications

\*Position System Clip Compressible 4" to 6" away from corners and intersections. See AL13 Panel Installation Guide for more information.

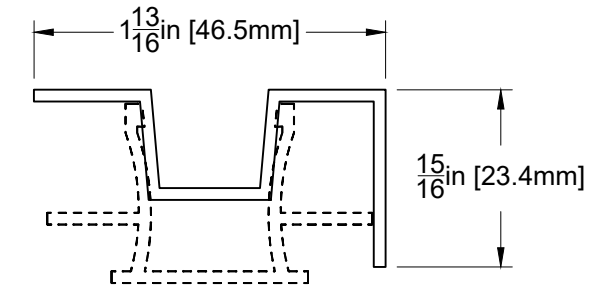
\*\*For vertical Back Plate installation, allow approximately 2" gap from horizontal extrusions

EXTRUSIONS USED  
Scale 1:1

**BPU** Back Plate: Universal



**RCP** Reveal Cap: Perimeter



1278 Cliveden Avenue  
Delta, BC V3M 6G4  
Canada

Tel: +1-604-428-2513  
Mail: info@al13.com  
URL: al13.com

NOTE:  
The contractor / builder must verify all dimensions on the job and report any discrepancy to the designer before proceeding with the work.

All drawings and specifications are instruments of service and the copyright property of the designer and must be returned upon request.

AL13® Panel  
System Details

DESCRIPTION

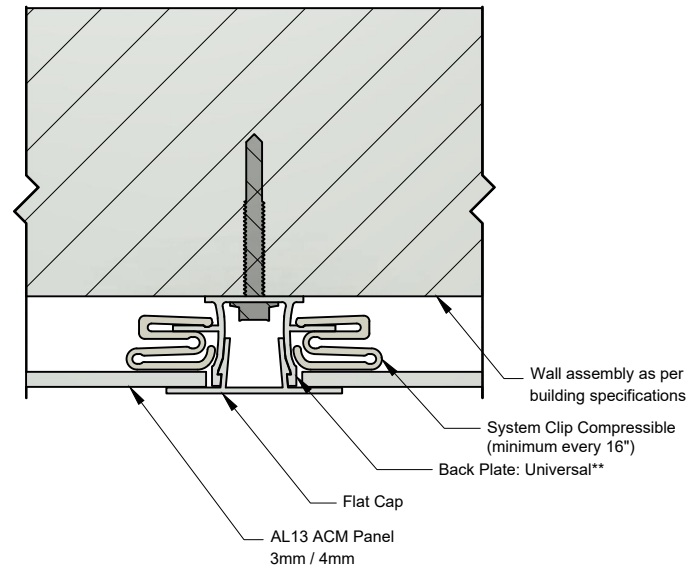
GENERIC DETAIL  
HORIZONTAL SECTION  
OPENING, WINDOW JAMB



SCALE	REF	DRAWING NUMBER
1:2	J ←	07
VERSION		
MAR 2022		

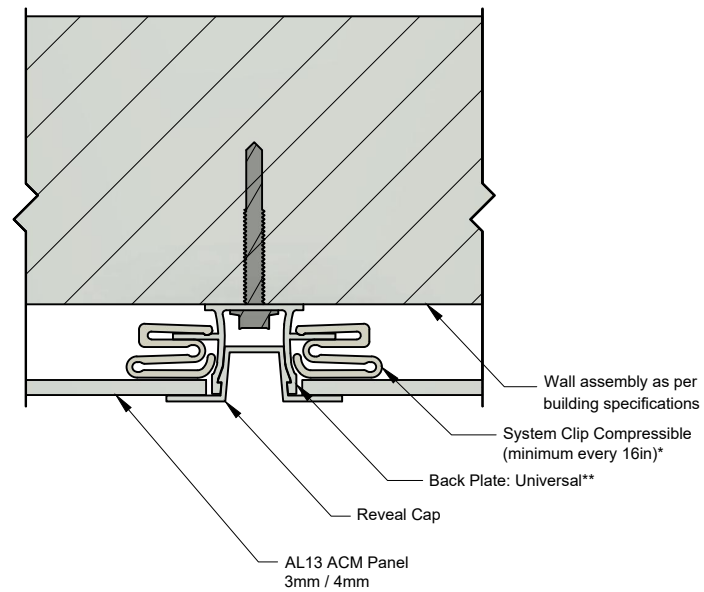
Detail  
**H09**

Between Panels - Vertical Transition (Option A)



Detail  
**H10**

Between Panels - Vertical Transition (Option B)

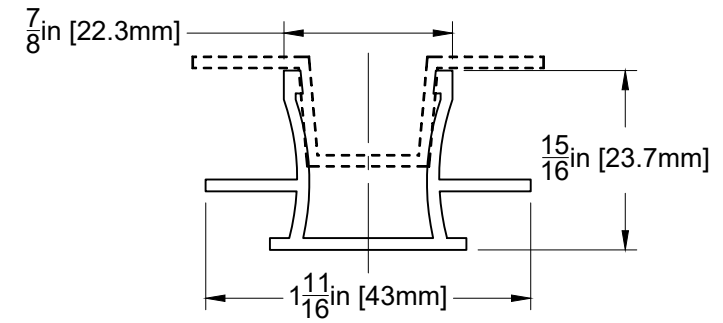


\*Position System Clip Compressible 4" to 6" away from corners and intersections. See AL13 Panel Installation Guide for more information.

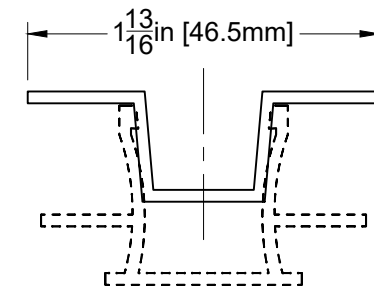
\*\*For vertical Back Plate installation, allow approximately 2" gap from horizontal extrusions

EXTRUSIONS USED  
Scale 1:1

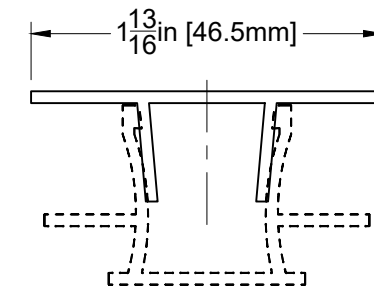
**BPU** Back Plate: Universal



**RCP** Reveal Cap: Perimeter



**FC** Flat Cap



1278 Cliveden Avenue  
Delta, BC V3M 6G4  
Canada

Tel: +1-604-428-2513  
Mail: info@al13.com  
URL: al13.com

NOTE:

The contractor / builder must verify all dimensions on the job and report any discrepancy to the designer before proceeding with the work.

All drawings and specifications are instruments of service and the copyright property of the designer and must be returned upon request.

AL13® Panel  
System Details

DESCRIPTION

GENERIC DETAIL  
HORIZONTAL SECTION

BETWEEN PANELS -  
VERTICAL TRANSITION

Detail  
**H09**

Detail  
**H10**



SCALE  
1:2

REF  
K

DRAWING  
NUMBER

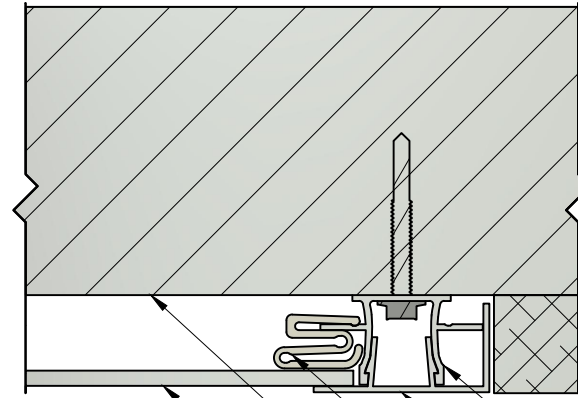
VERSION  
MAR 2022

K

**08**

Detail  
**H11**

End of the Wall - Vertical Transition



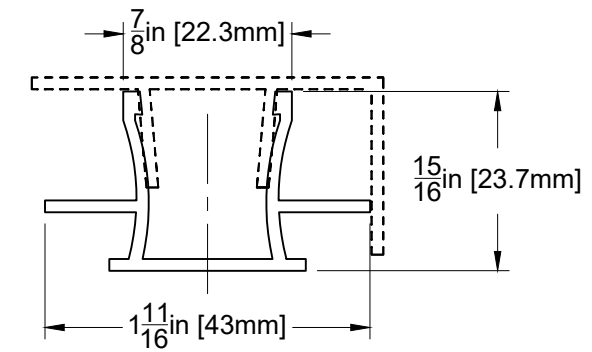
- Back Plate: Universal\*\*
- Flat Cap: Perimeter
- System Clip Compressible (minimum every 16in)\*
- Wall assembly as per building specifications
- AL13 ACM Panel 3mm / 4mm

\*Position System Clip Compressible 4" to 6" away from corners and intersections. See AL13 Panel Installation Guide for more information.

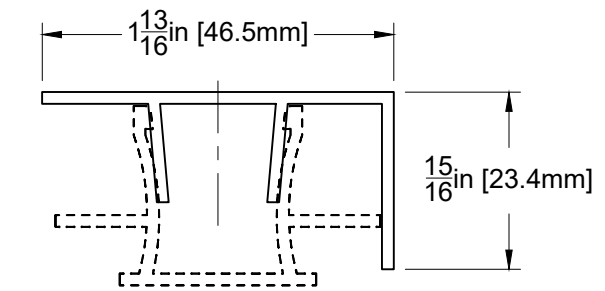
\*\*For vertical Back Plate installation, allow approximately 2" gap from horizontal extrusions

EXTRUSIONS USED  
Scale 1:1

**BPU** Back Plate: Universal



**RCP** Reveal Cap: Perimeter



**AL13** architectural systems.

1278 Cliveden Avenue  
Delta, BC V3M 6G4  
Canada

Tel: +1-604-428-2513  
Mail: info@al13.com  
URL: al13.com

NOTE:

The contractor / builder must verify all dimensions on the job and report any discrepancy to the designer before proceeding with the work.

All drawings and specifications are instruments of service and the copyright property of the designer and must be returned upon request.

AL13® Panel  
System Details

DESCRIPTION

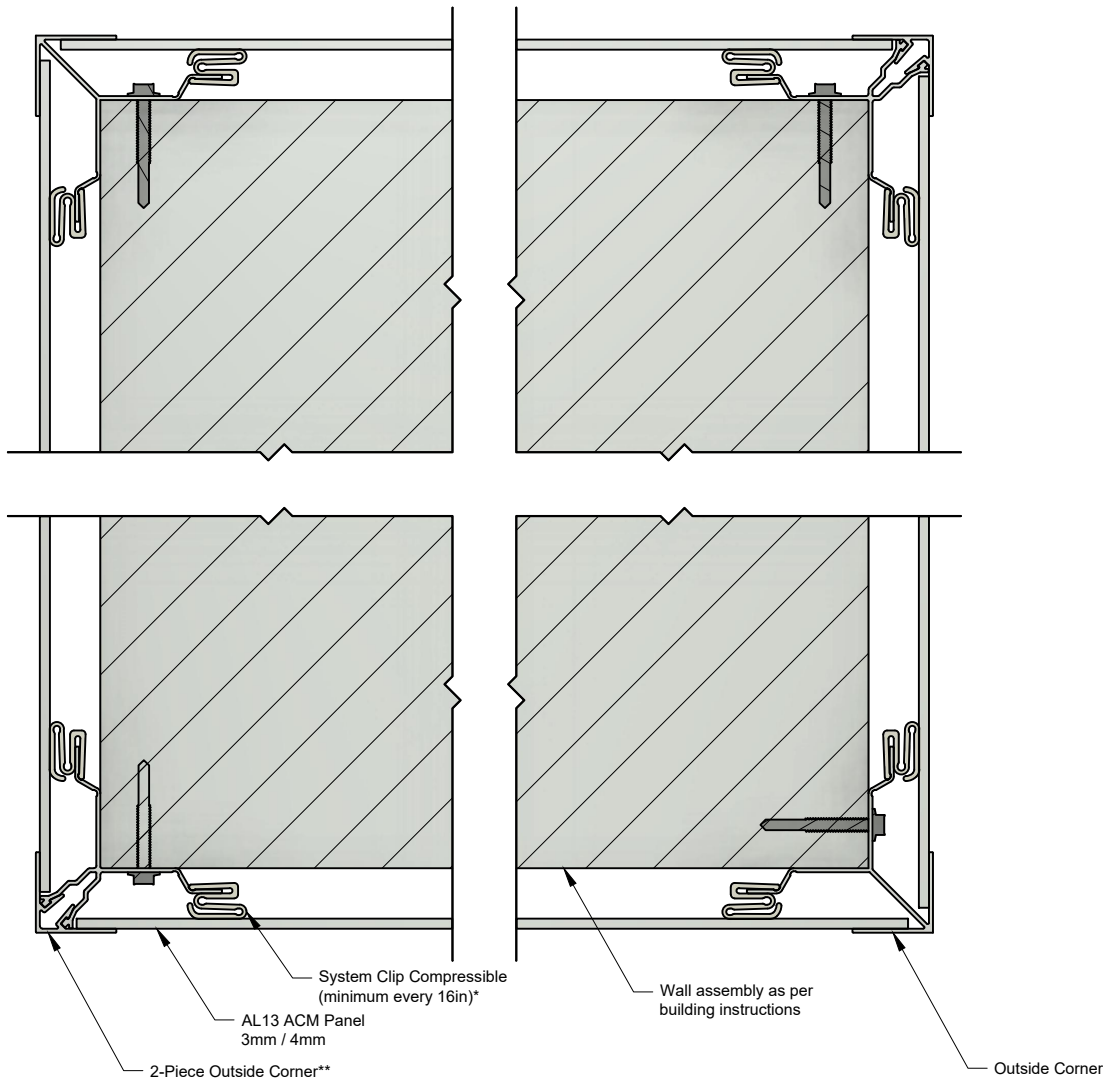
GENERIC DETAIL  
HORIZONTAL SECTION  
  
END OF THE WALL -  
VERTICAL TRANSITION

Detail  
**H11**



SCALE	REF	DRAWING NUMBER
1:2		<b>09</b>
VERSION		
MAR 2022		

Detail H12 Column

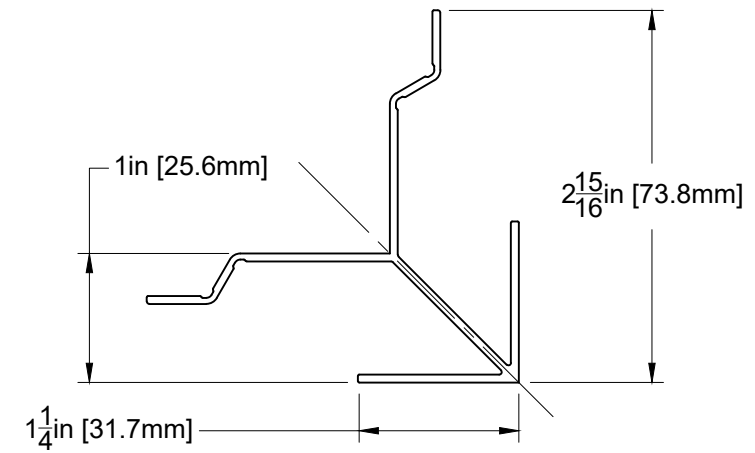


\*Position System Clip Compressible 4" to 6" away from corners and intersections. See AL13 Panel Installation Guide for more information.

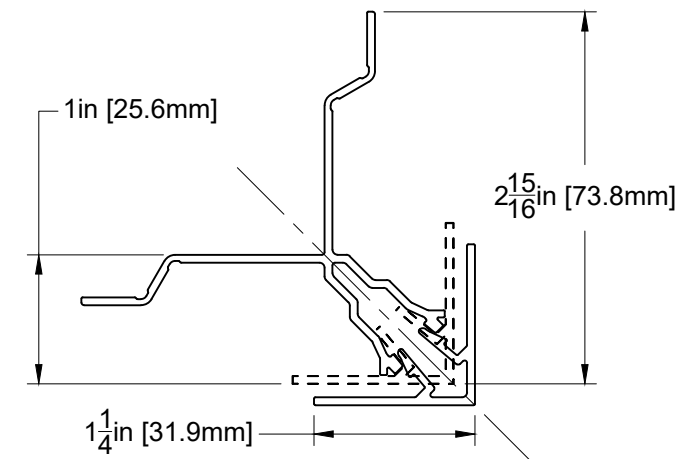
\*\*For vertical installation of the 2-Piece Outside Corner Back Plate, allow approximately 2" gap from horizontal extrusions

EXTRUSIONS USED  
Scale 2:3

OC Outside Corner



2OC 2-Piece Outside Corner



1278 Cliveden Avenue  
Delta, BC V3M 6G4  
Canada

Tel: +1-604-428-2513  
Mail: info@al13.com  
URL: al13.com

NOTE:

The contractor / builder must verify all dimensions on the job and report any discrepancy to the designer before proceeding with the work.

All drawings and specifications are instruments of service and the copyright property of the designer and must be returned upon request.

AL13® Panel System Details

DESCRIPTION

GENERIC DETAIL  
HORIZONTAL SECTION

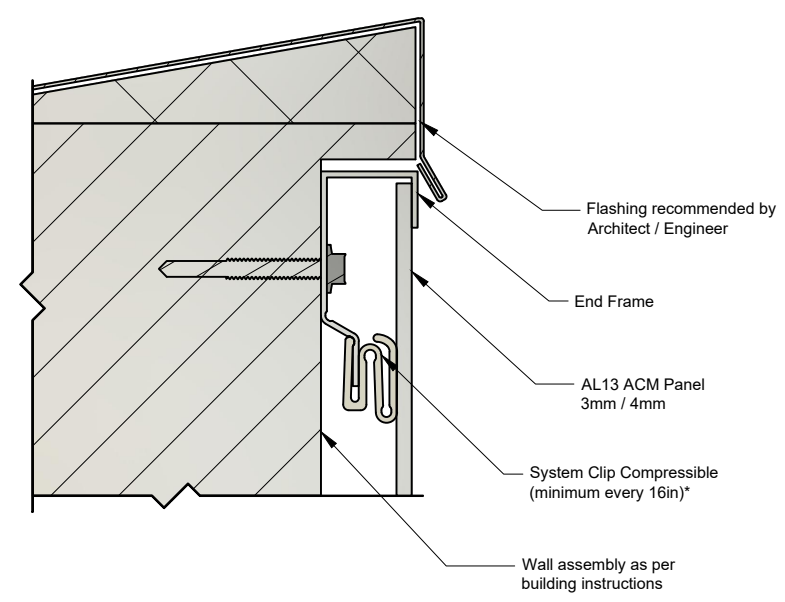
COLUMN

Detail H12



SCALE	REF	DRAWING NUMBER
1:3	N	10
VERSION	N	
MAR 2022		

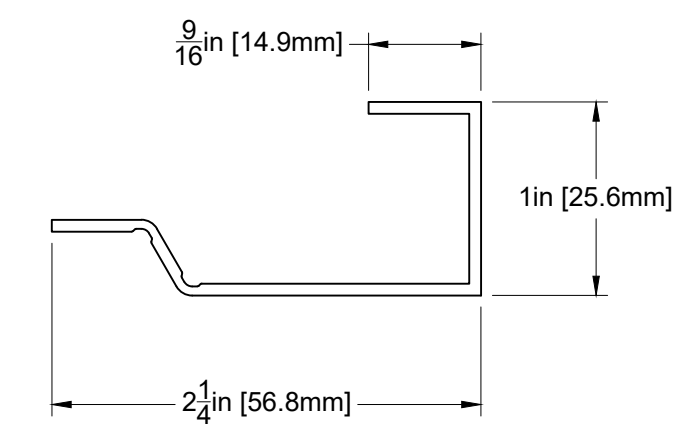
Detail **V01** Top of the Wall - Parapet



\*Position System Clip Compressible 4" to 6" away from corners and intersections. See AL13 Panel Installation Guide for more information.

EXTRUSIONS USED  
Scale 1:1

**EF** End Frame



1278 Cliveden Avenue  
Delta, BC V3M 6G4  
Canada

Tel: +1-604-428-2513  
Mail: info@al13.com  
URL: al13.com

NOTE:

The contractor / builder must verify all dimensions on the job and report any discrepancy to the designer before proceeding with the work.

All drawings and specifications are instruments of service and the copyright property of the designer and must be returned upon request.

AL13® Panel System Details



DESCRIPTION

GENERIC DETAIL  
VERTICAL SECTION

TOP OF WALL



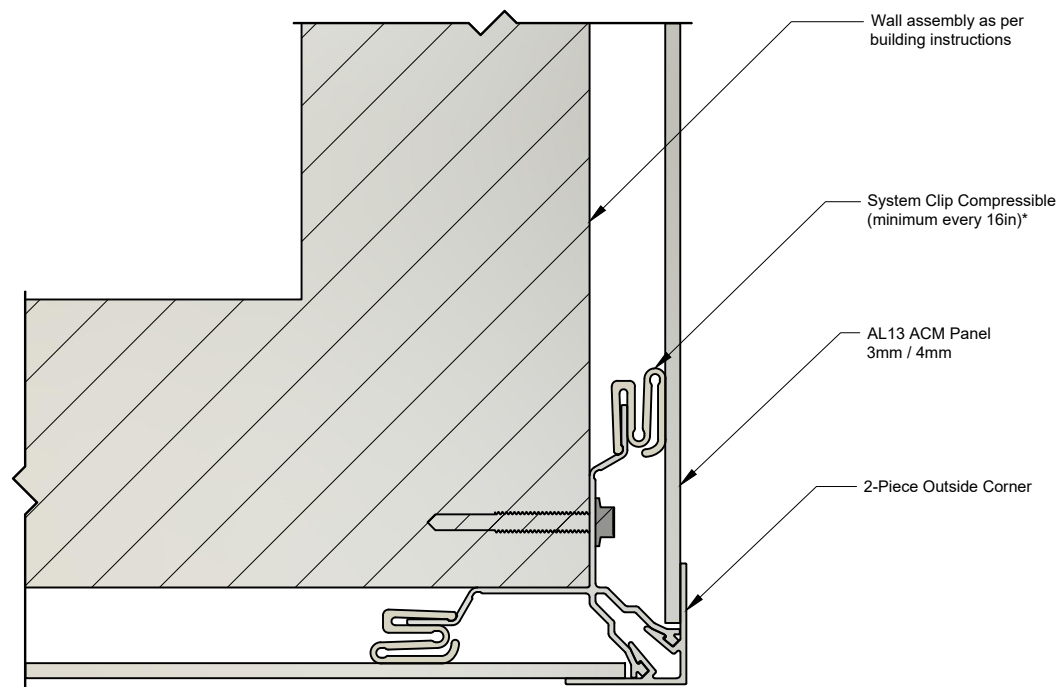
SCALE  
1:2

VERSION  
MAR 2022

REF  
⊞ ⊞ ⊞

DRAWING NUMBER  
**11**

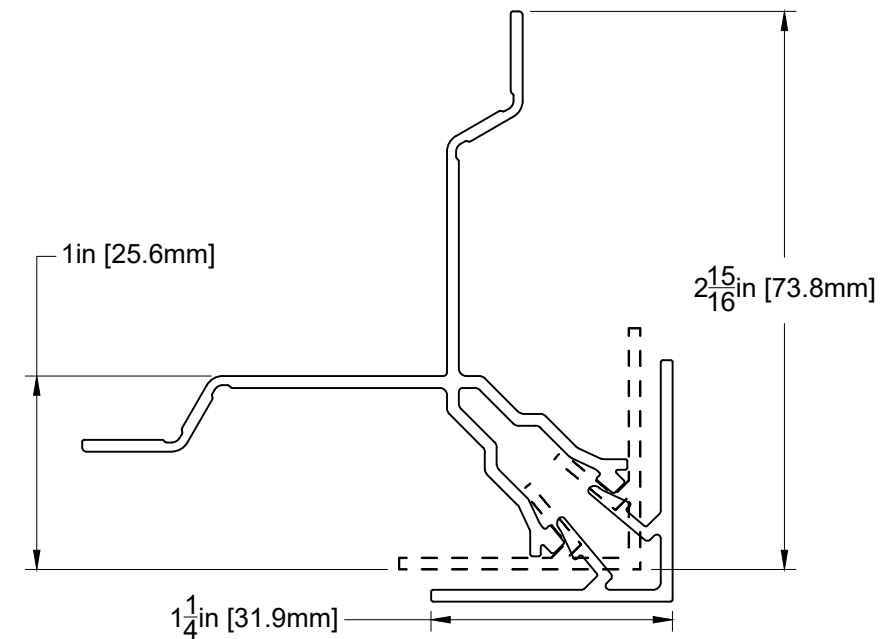
Detail **V03** Vertical Transition - Outside Corner (Option A)



\*Position System Clip Compressible 4" to 6" away from corners and intersections. See AL13 Panel Installation Guide for more information.

EXTRUSIONS USED  
Scale 1:1

**20C** 2-Piece Outside Corner



1278 Cliveden Avenue  
Delta, BC V3M 6G4  
Canada

Tel: +1-604-428-2513  
Mail: info@al13.com  
URL: al13.com

NOTE:

The contractor / builder must verify all dimensions on the job and report any discrepancy to the designer before proceeding with the work.

All drawings and specifications are instruments of service and the copyright property of the designer and must be returned upon request.

AL13® Panel  
System Details

DESCRIPTION

GENERIC DETAIL  
VERTICAL SECTION

VERTICAL TRANSITION -  
OUTSIDE CORNER

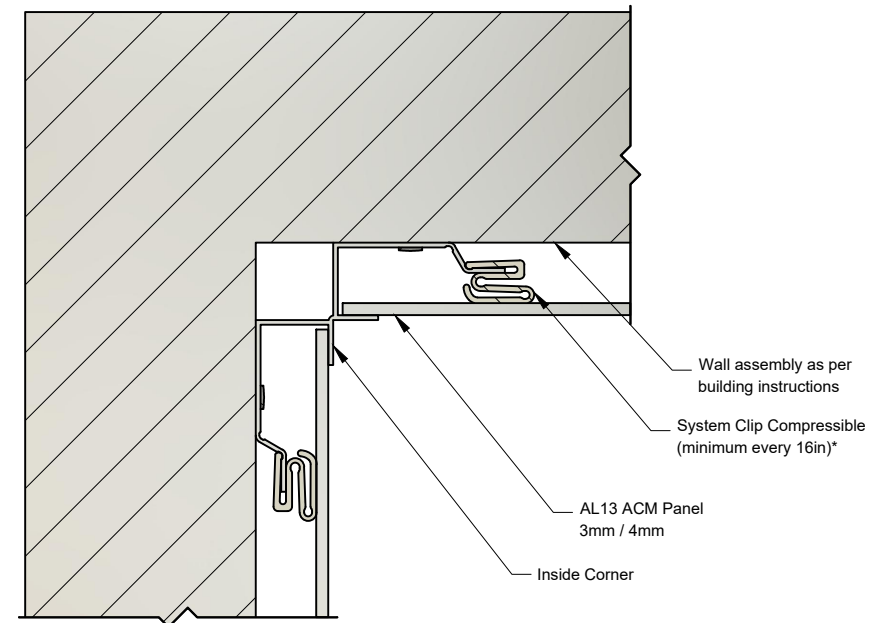
Detail  
**V03**



SCALE	REF	DRAWING NUMBER
1:2		<b>12</b>
VERSION MAR 2022		

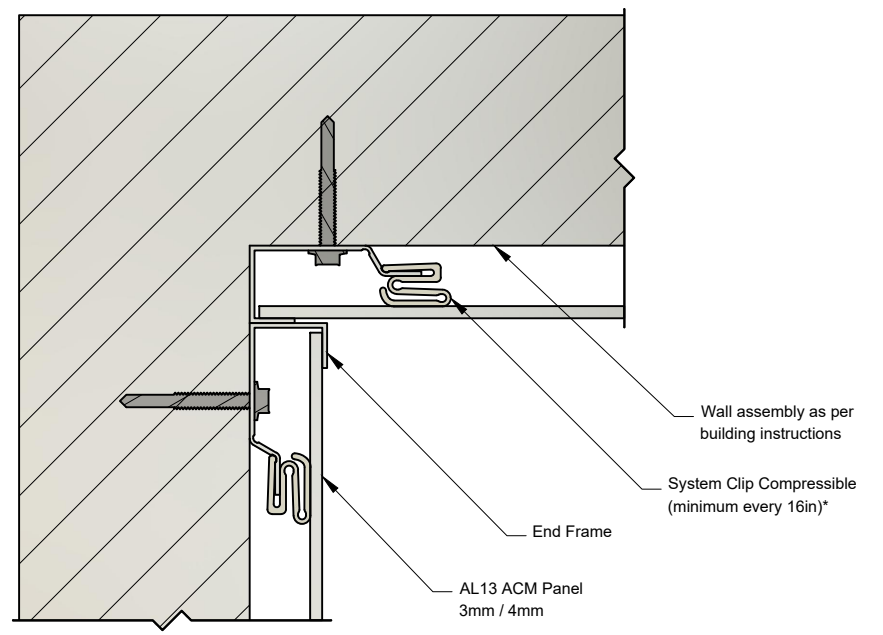
Detail  
**V05**

Vertical Transition - Inside Corner (Option A)



Detail  
**V06**

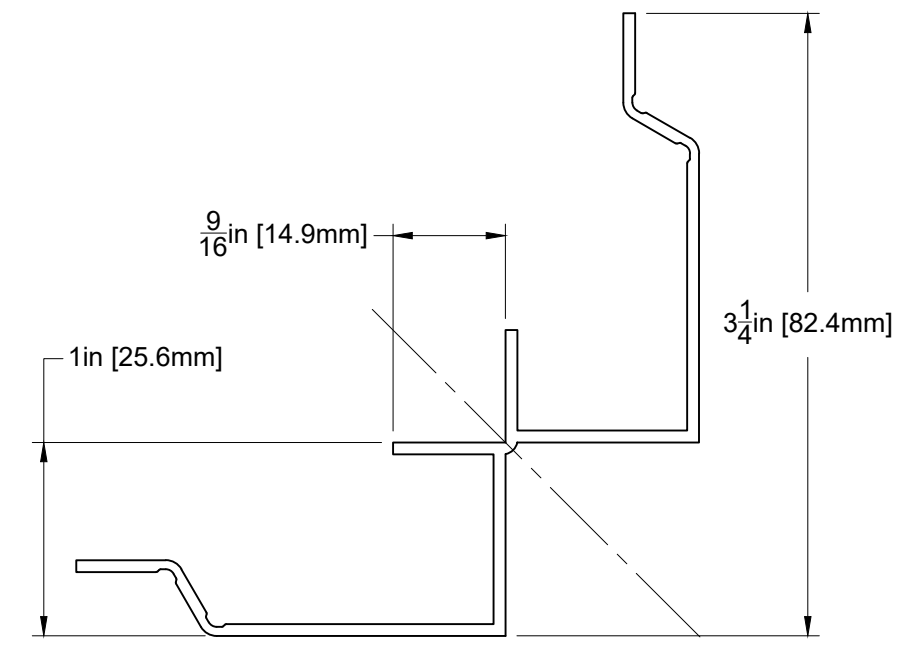
Vertical Transition - Inside Corner (Option B)



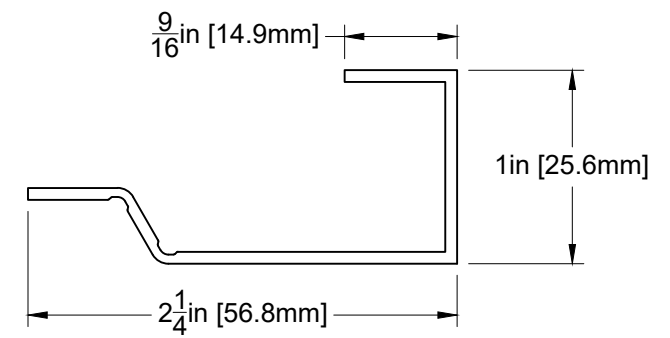
\*Position System Clip Compressible 4" to 6" away from corners and intersections. See AL13 Panel Installation Guide for more information.

EXTRUSIONS USED  
Scale 1:1

**IC** Inside Corner



**EF** End Frame



1278 Cliveden Avenue  
Delta, BC V3M 6G4  
Canada

Tel: +1-604-428-2513  
Mail: info@al13.com  
URL: al13.com

NOTE:

The contractor / builder must verify all dimensions on the job and report any discrepancy to the designer before proceeding with the work.

All drawings and specifications are instruments of service and the copyright property of the designer and must be returned upon request.

AL13® Panel  
System Details

DESCRIPTION

GENERIC DETAIL  
VERTICAL SECTION  
VERTICAL TRANSITION -  
INSIDE CORNER

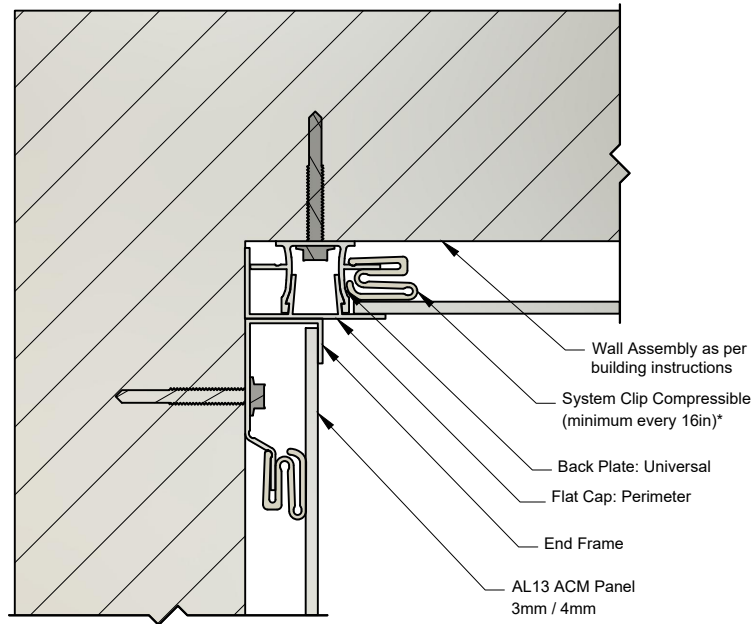
Detail  
**V05**      Detail  
**V06**



SCALE	REF	DRAWING NUMBER
.4	V V W W	<b>13</b>
VERSION		
MAR 2022		

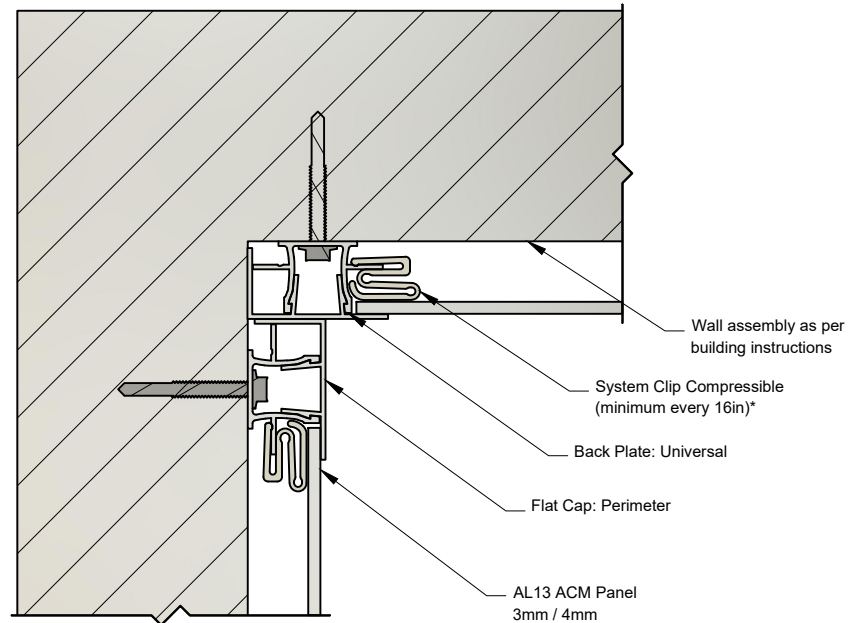
Detail  
**V07**

Vertical Transition - Inside Corner (Option C)



Detail  
**V08**

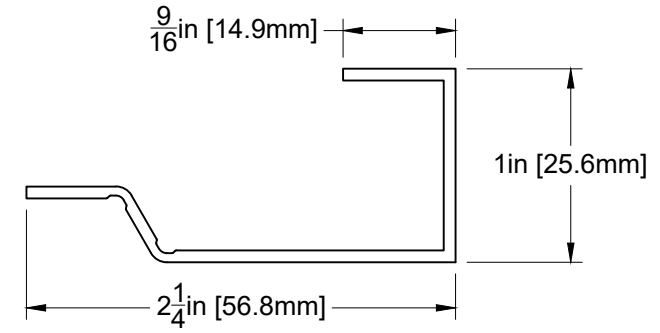
Vertical Transition - Inside Corner (Option D)



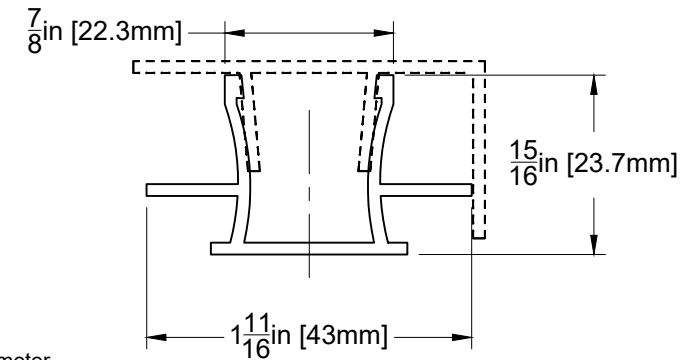
\*Position System Clip Compressible 4" to 6" away from corners and intersections. See AL13 Panel Installation Guide for more information.

EXTRUSIONS USED  
Scale 1:1

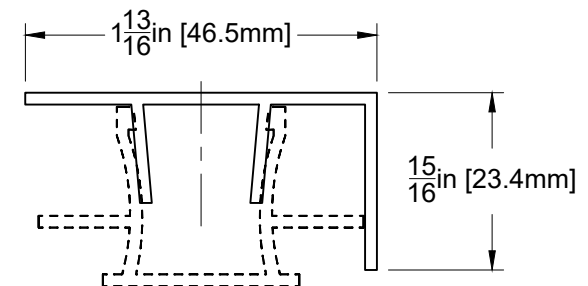
**EF** End Frame



**BPU** Back Plate: Universal



**FCP** Flat Cap: Perimeter



1278 Cliveden Avenue  
Delta, BC V3M 6G4  
Canada

Tel: +1-604-428-2513  
Mail: info@al13.com  
URL: al13.com

NOTE:

The contractor / builder must verify all dimensions on the job and report any discrepancy to the designer before proceeding with the work.

All drawings and specifications are instruments of service and the copyright property of the designer and must be returned upon request.

AL13® Panel  
System Details

DESCRIPTION

GENERIC DETAIL  
VERTICAL SECTION

VERTICAL TRANSITION -  
INSIDE CORNER

Detail  
**V07**

Detail  
**V08**

Detail  
**V07**

Detail  
**V08**



SCALE  
0.4

VERSION  
MAR 2022

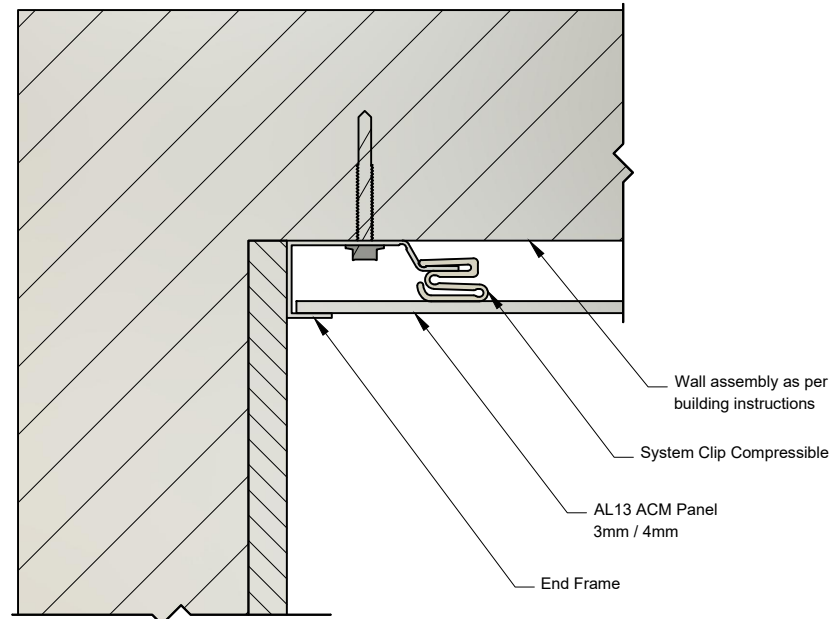
REF  
Y  
Y  
AA  
AA

DRAWING  
NUMBER

**14**

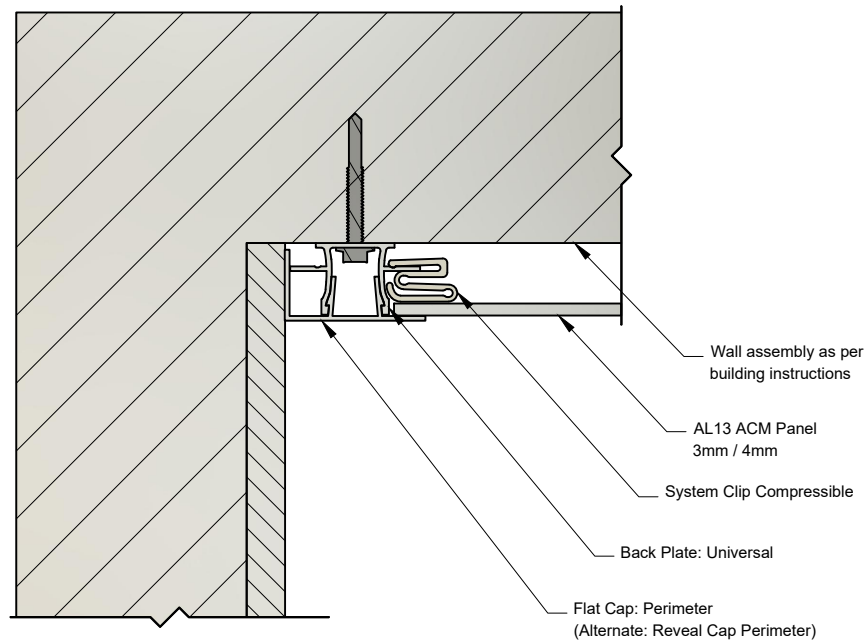
Detail  
**V09**

Vertical Transition - Inside Corner (Option E)



Detail  
**V10**

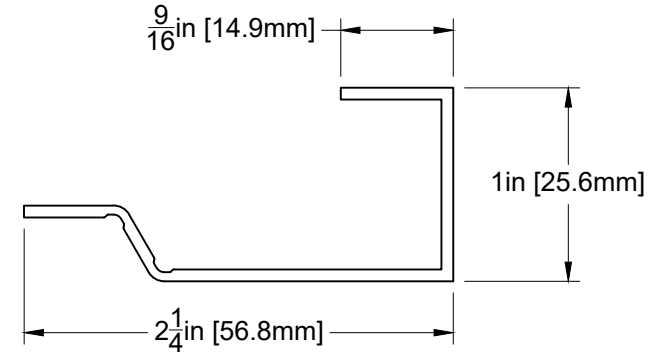
Vertical Transition - Inside Corner (Option F)



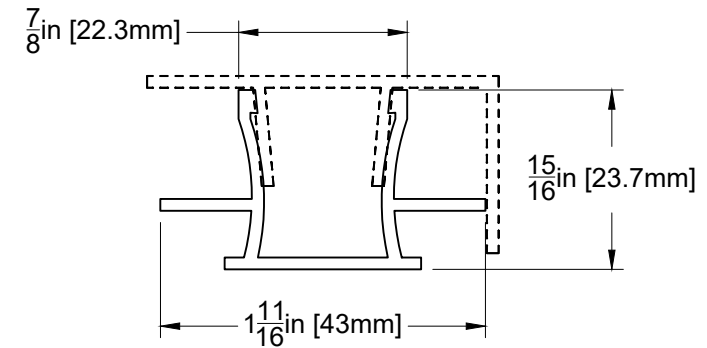
\*Position System Clip Compressible 4" to 6" away from corners and intersections. See AL13 Panel Installation Guide for more information.

EXTRUSIONS USED  
Scale 1:1

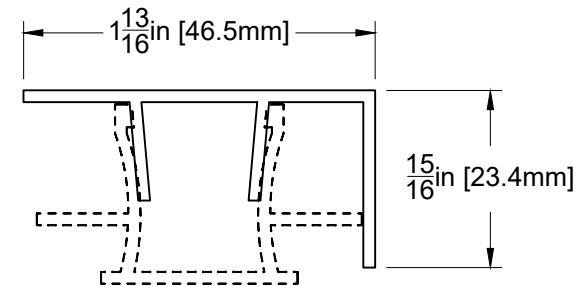
**EF** End Frame



**BPU** Back Plate: Universal



**FCP** Flat Cap: Perimeter



1278 Cliveden Avenue  
Delta, BC V3M 6G4  
Canada

Tel: +1-604-428-2513  
Mail: info@al13.com  
URL: al13.com

NOTE:

The contractor / builder must verify all dimensions on the job and report any discrepancy to the designer before proceeding with the work.

All drawings and specifications are instruments of service and the copyright property of the designer and must be returned upon request.

AL13® Panel  
System Details

DESCRIPTION

GENERIC DETAIL  
VERTICAL SECTION  
VERTICAL TRANSITION -  
INSIDE CORNER

Detail  
**V09**

Detail  
**V10**

Detail  
**V09**

Detail  
**V10**



SCALE  
0.4

VERSION  
MAR 2022

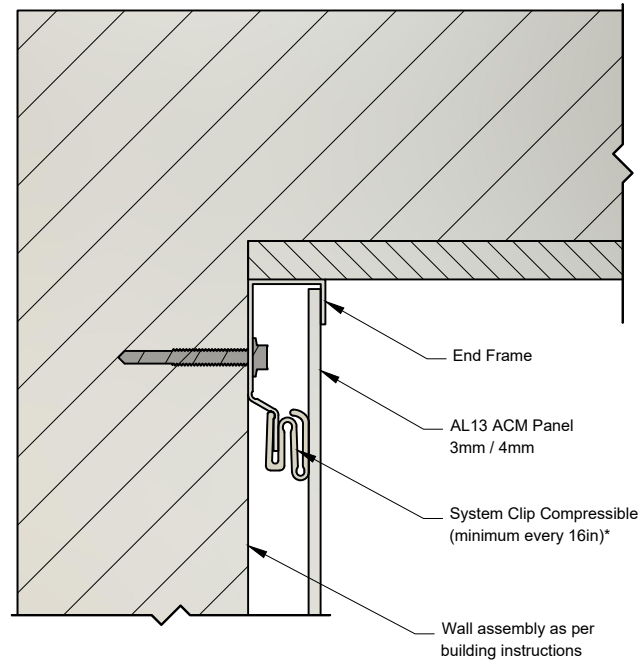
REF  
AD  
AD  
AE  
AE

DRAWING  
NUMBER

**15**

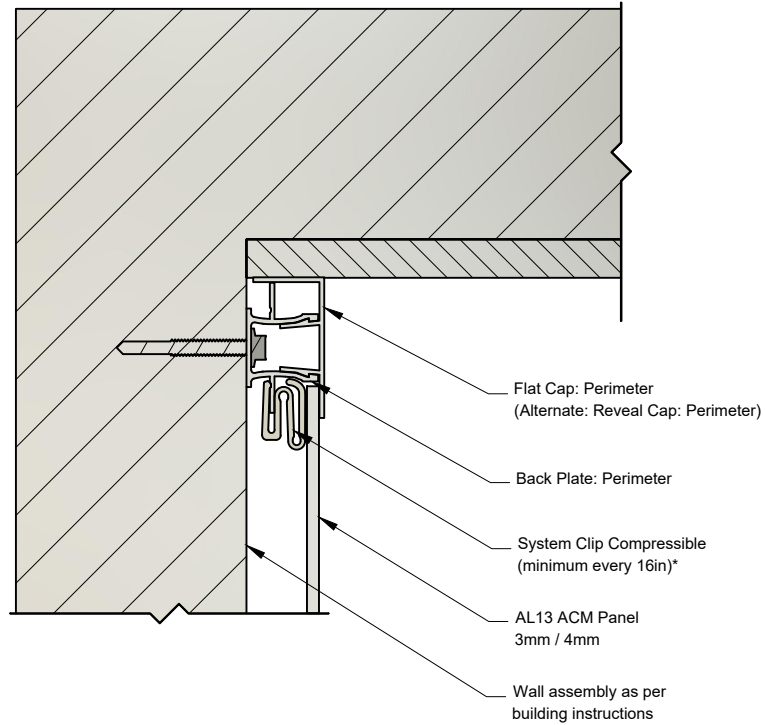
Detail  
**V11**

Vertical Transition - Inside Corner (Option C)



Detail  
**V12**

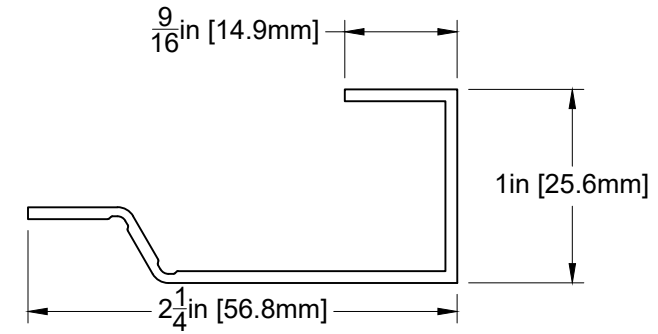
Vertical Transition - Inside Corner (Option D)



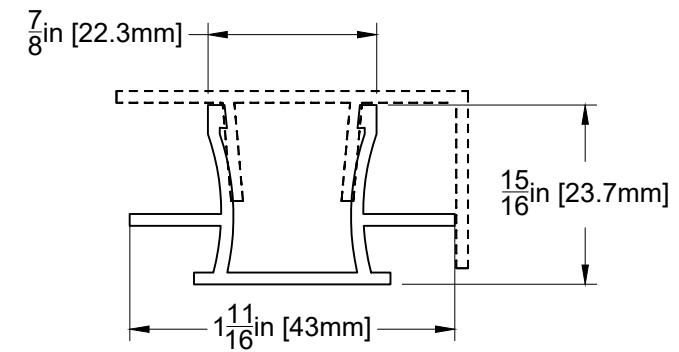
\*Position System Clip Compressible 4" to 6" away from corners and intersections. See AL13 Panel Installation Guide for more information.

EXTRUSIONS USED  
Scale 1:1

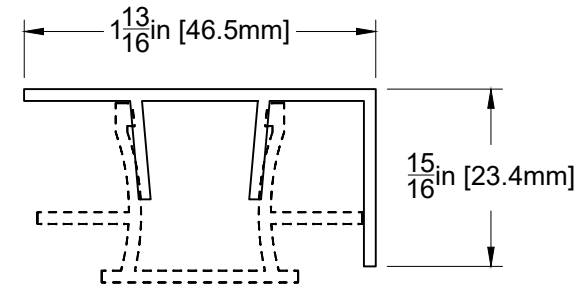
**EF** End Frame



**BPU** Back Plate: Universal



**FCP** Flat Cap: Perimeter



1278 Cliveden Avenue  
Delta, BC V3M 6G4  
Canada

Tel: +1-604-428-2513  
Mail: info@al13.com  
URL: al13.com

NOTE:

The contractor / builder must verify all dimensions on the job and report any discrepancy to the designer before proceeding with the work.

All drawings and specifications are instruments of service and the copyright property of the designer and must be returned upon request.

AL13® Panel  
System Details

DESCRIPTION

GENERIC DETAIL  
VERTICAL SECTION

VERTICAL TRANSITION -  
INSIDE CORNER

Detail  
**V11**

Detail  
**V12**

SCALE  
0.4

REF  
AB  
AB  
AC  
AC

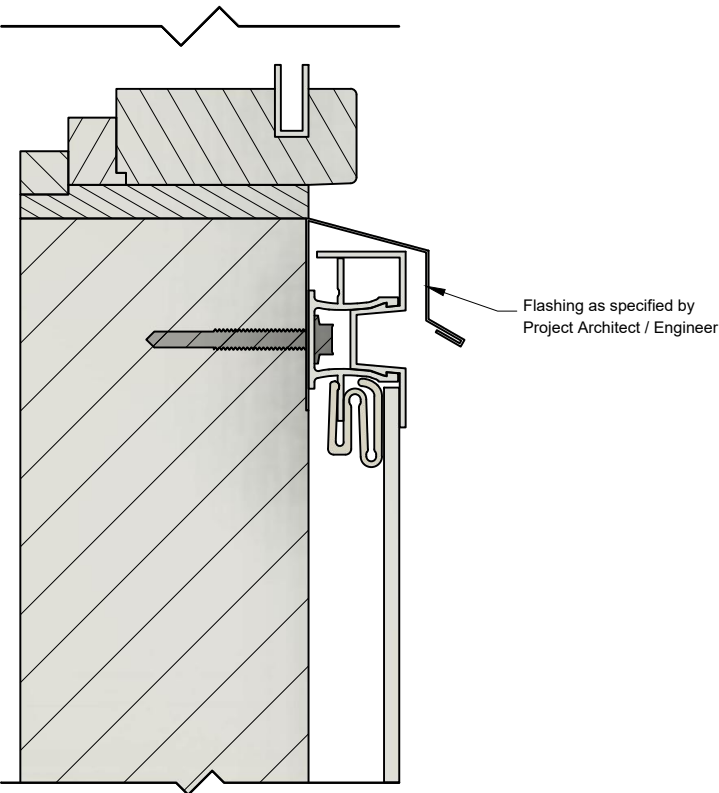
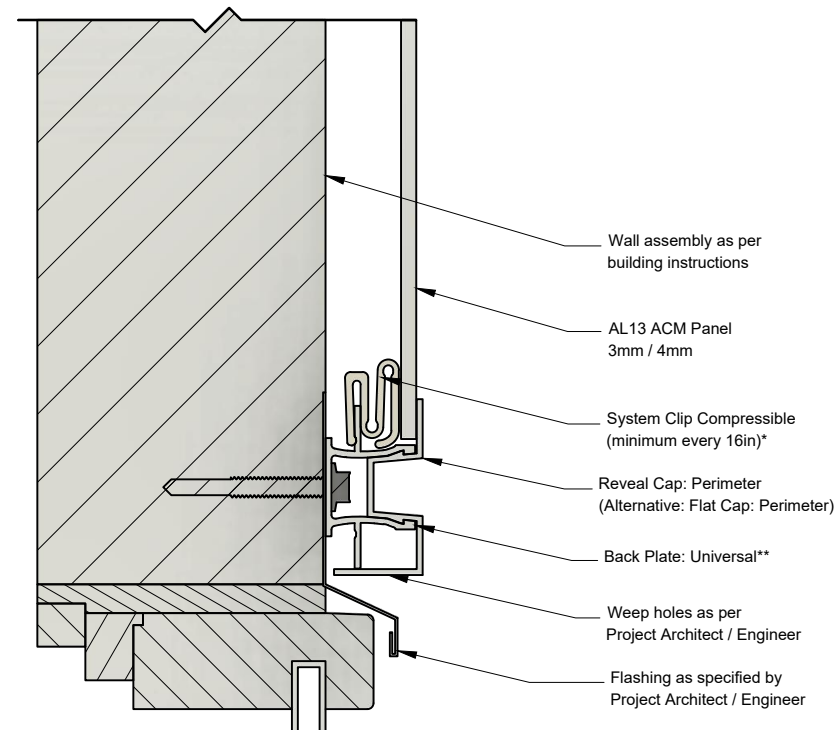
DRAWING  
NUMBER

**16**

VERSION  
MAR 2022



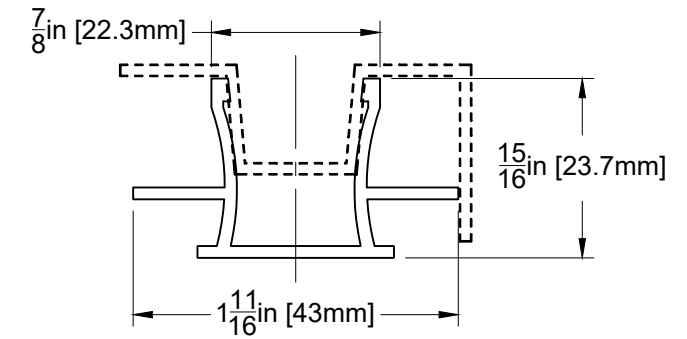
Detail **V13** Openings - Windows



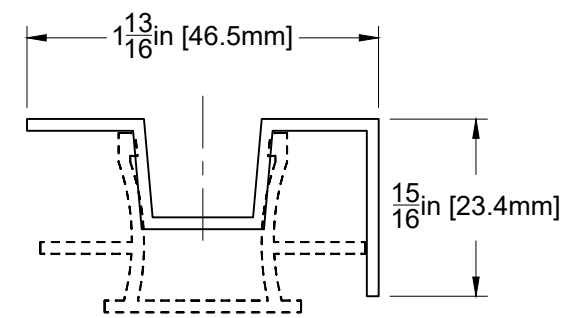
\*Position System Clip Compressible 4" to 6" away from corners and intersections. See AL13 Panel Installation Guide for more information.  
 \*\*For horizontal Back Plate installation, measure and cut Back Plate in 3.25" segments and install them every 16in on centre.

EXTRUSIONS USED  
Scale 1:1

**BPU** Back Plate: Universal



**RCP** Reveal Cap: Perimeter



1278 Cliveden Avenue  
Delta, BC V3M 6G4  
Canada

Tel: +1-604-428-2513  
Mail: info@al13.com  
URL: al13.com

**NOTE:**  
 The contractor / builder must verify all dimensions on the job and report any discrepancy to the designer before proceeding with the work.  
 All drawings and specifications are instruments of service and the copyright property of the designer and must be returned upon request.

AL13® Panel System Details

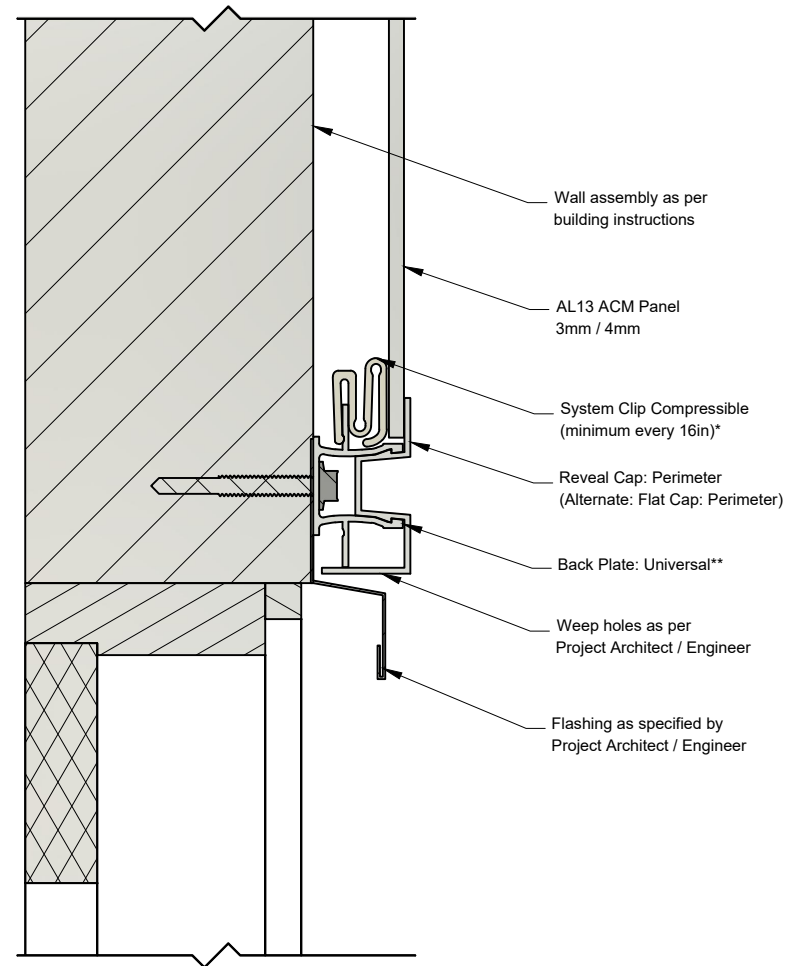
DESCRIPTION  
 GENERIC DETAIL  
 VERTICAL SECTION  
 OPENINGS - WINDOWS



SCALE	REF	DRAWING NUMBER
1:2	AF	<b>17</b>
VERSION	AF	
MAR 2022		

Detail  
**V14**

Openings - Door Head

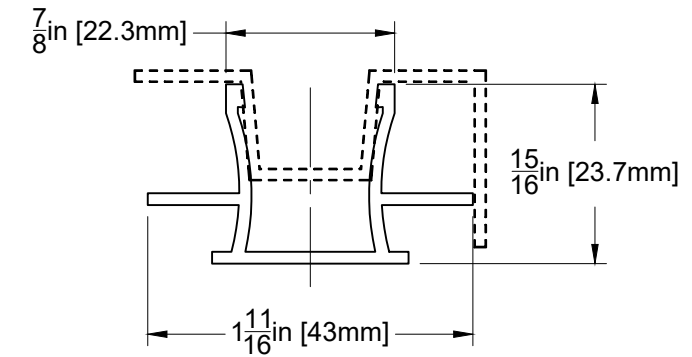


\*Position System Clip Compressible 4" to 6" away from corners and intersections. See AL13 Panel Installation Guide for more information.

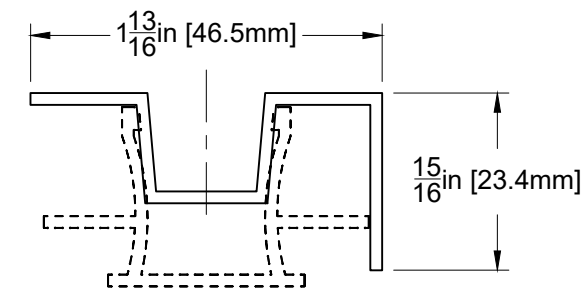
\*\*For horizontal Back Plate installation, measure and cut Back Plate in 3.25" segments and install them every 16in on centre.

EXTRUSIONS USED  
Scale 1:1

**BPU** Back Plate: Universal



**RCP** Reveal Cap: Perimeter



1278 Cliveden Avenue  
Delta, BC V3M 6G4  
Canada

Tel: +1-604-428-2513  
Mail: info@al13.com  
URL: al13.com

NOTE:

The contractor / builder must verify all dimensions on the job and report any discrepancy to the designer before proceeding with the work.

All drawings and specifications are instruments of service and the copyright property of the designer and must be returned upon request.

AL13® Panel  
System Details

DESCRIPTION

GENERIC DETAIL  
VERTICAL SECTION  
OPENINGS - DOOR HEAD

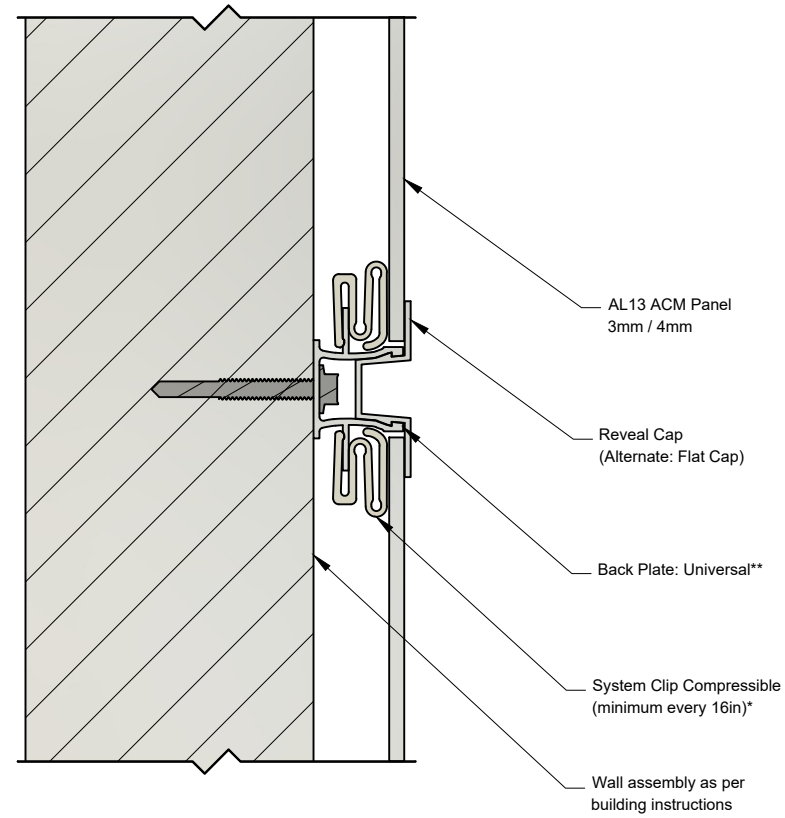
Detail  
**V14**



SCALE	REF	DRAWING NUMBER
1:2	AG	<b>18</b>
VERSION	AG	
MAR 2022		

Detail  
**V16**

Between Panels - Horizontal Transition

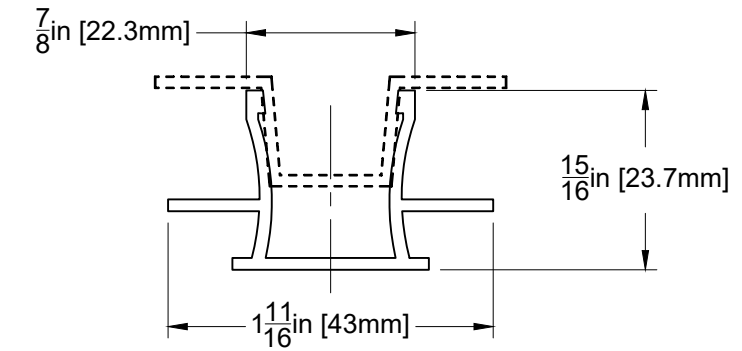


\*Position System Clip Compressible 4" to 6" away from corners and intersections. See AL13 Panel Installation Guide for more information.

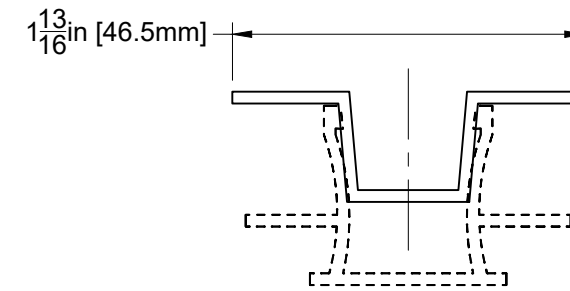
\*\*For horizontal Back Plate installation, measure and cut Back Plate in 3.25" segments and install them every 16in on centre.

EXTRUSIONS USED  
Scale 1:1

**BPU** Back Plate: Universal



**RCP** Reveal Cap



**AL13** architectural systems.

1278 Cliveden Avenue  
Delta, BC V3M 6G4  
Canada

Tel: +1-604-428-2513  
Mail: info@al13.com  
URL: al13.com

NOTE:

The contractor / builder must verify all dimensions on the job and report any discrepancy to the designer before proceeding with the work.

All drawings and specifications are instruments of service and the copyright property of the designer and must be returned upon request.

AL13® Panel  
System Details

DESCRIPTION

GENERIC DETAIL  
VERTICAL SECTION  
  
BETWEEN PANELS -  
HORIZONTAL TRANSITION

Detail  
**V16**

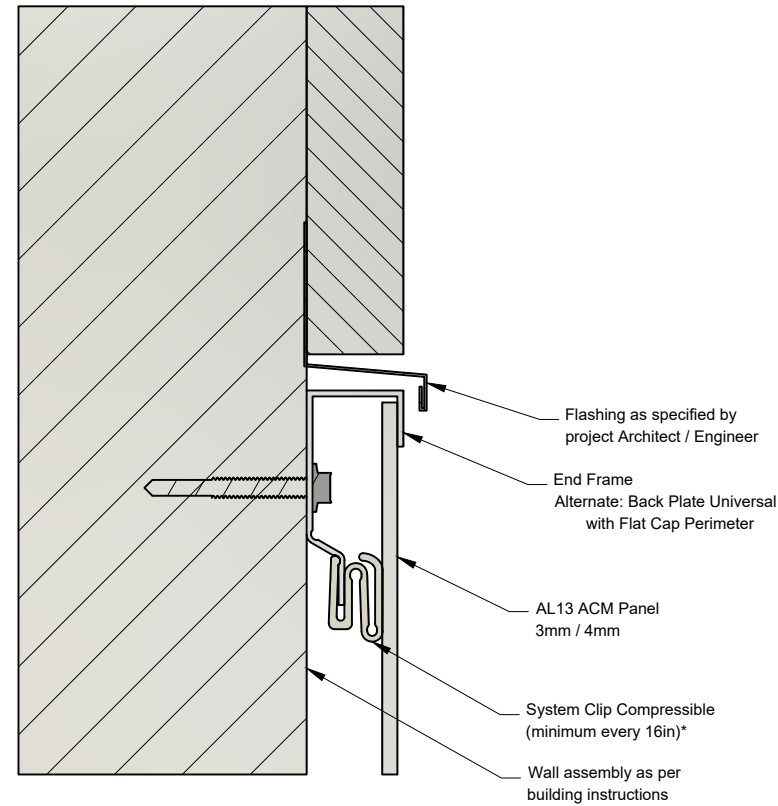
Detail  
**V16**



SCALE	REF	DRAWING NUMBER
1:2	AJ	<b>19</b>
VERSION MAR 2022	AJ	

Detail  
**V17**

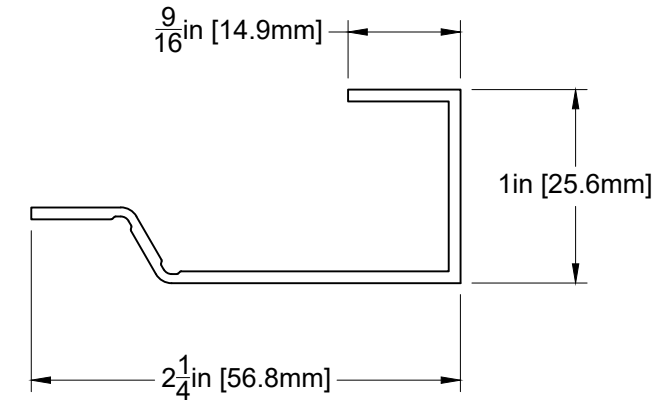
Between Panels - Horizontal Transition



\*Position System Clip Compressible 4" to 6" away from corners and intersections. See AL13 Panel Installation Guide for more information.

EXTRUSIONS USED  
Scale 1:1

EF End Frame



**AL13** architectural systems.

1278 Cliveden Avenue  
Delta, BC V3M 6G4  
Canada

Tel: +1-604-428-2513  
Mail: info@al13.com  
URL: al13.com

NOTE:

The contractor / builder must verify all dimensions on the job and report any discrepancy to the designer before proceeding with the work.

All drawings and specifications are instruments of service and the copyright property of the designer and must be returned upon request.

AL13® Panel  
System Details

DESCRIPTION

GENERIC DETAIL  
VERTICAL SECTION

BETWEEN PANELS -  
HORIZONTAL TRANSITION

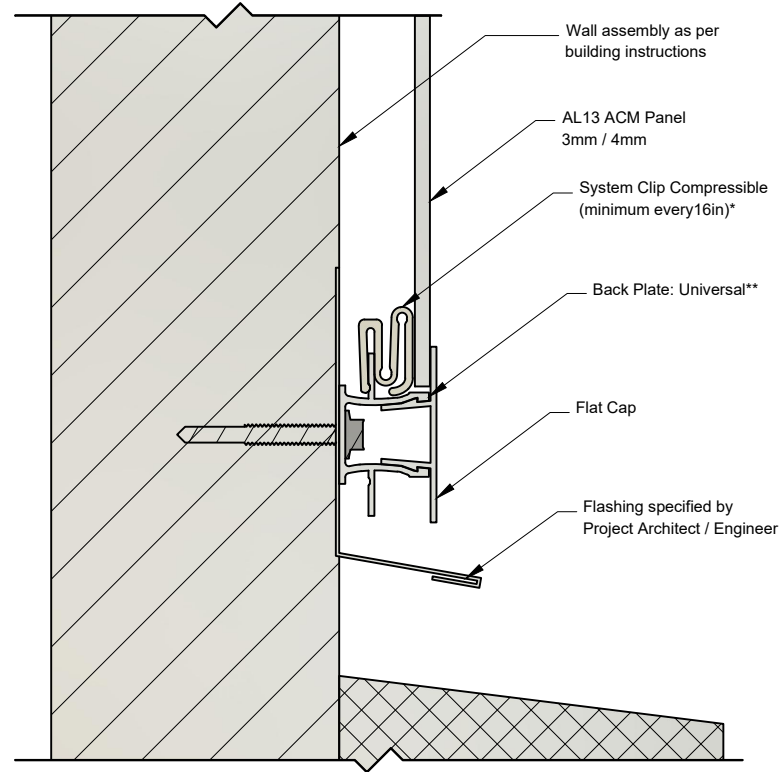
Detail  
**V17**



SCALE	REF	DRAWING NUMBER
1:2	AM	<b>20</b>
VERSION	AM	
MAR 2022		

Detail  
**V18**

Bottom of the Wall (Option A)

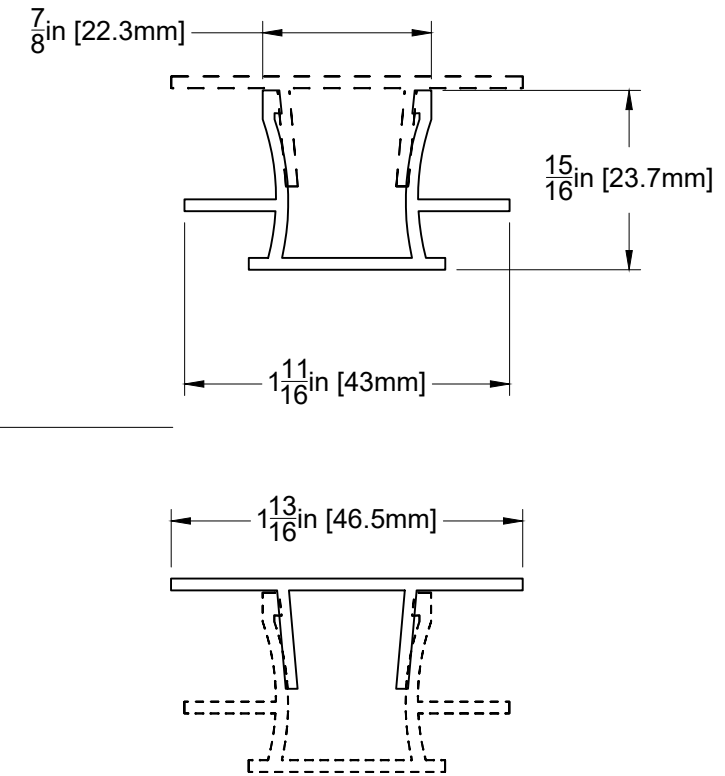


\*Position System Clip Compressible 4" to 6" away from corners and intersections. See AL13 Panel Installation Guide for more information.

\*\*For horizontal Back Plate installation, measure and cut Back Plate in 3.25" segments and install them every 16in on centre.

EXTRUSIONS USED  
Scale 1:1

**BPU** Back Plate: Universal



**RCP** Reveal Cap



1278 Cliveden Avenue  
Delta, BC V3M 6G4  
Canada

Tel: +1-604-428-2513  
Mail: info@al13.com  
URL: al13.com

NOTE:

The contractor / builder must verify all dimensions on the job and report any discrepancy to the designer before proceeding with the work.

All drawings and specifications are instruments of service and the copyright property of the designer and must be returned upon request.

AL13® Panel  
System Details

DESCRIPTION

GENERIC DETAIL  
HORIZONTAL SECTION  
BOTTOM OF THE WALL -  
OPTION A

Detail  
**V18**

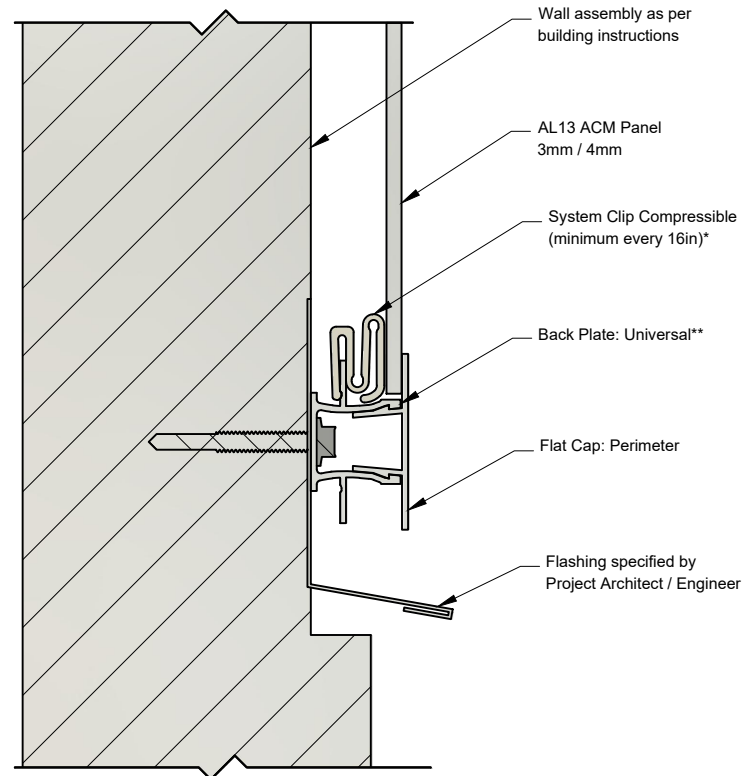
Detail  
**V18**



SCALE	REF	DRAWING NUMBER
1:2	AK AK	<b>21</b>
VERSION		
MAR 2022		

Detail  
**V19**

Bottom of the Wall (Option B)



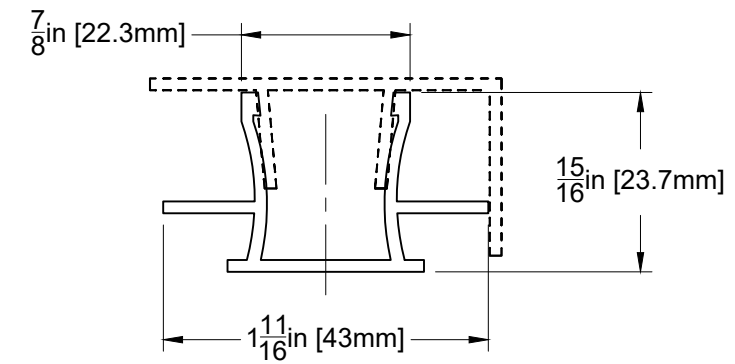
\*Position System Clip Compressible 4" to 6" away from corners and intersections. See AL13 Panel Installation Guide for more information.

\*\*For horizontal Back Plate installation, measure and cut Back Plate in 3.25" segments and install them every 16in on centre.

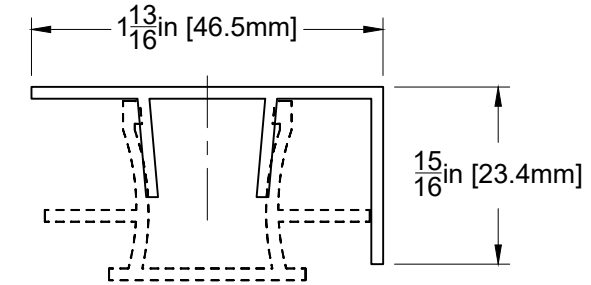
EXTRUSIONS USED

Scale 1:1

**BPU** Back Plate: Universal



**RCP** Reveal Cap: Perimeter



1278 Cliveden Avenue  
Delta, BC V3M 6G4  
Canada

Tel: +1-604-428-2513  
Mail: info@al13.com  
URL: al13.com

NOTE:

The contractor / builder must verify all dimensions on the job and report any discrepancy to the designer before proceeding with the work.

All drawings and specifications are instruments of service and the copyright property of the designer and must be returned upon request.

AL13® Panel  
System Details

DESCRIPTION

GENERIC DETAIL  
HORIZONTAL SECTION  
BOTTOM OF THE WALL -  
OPTION B

Detail  
**V19**

Detail  
**V19**



SCALE  
1:2  
VERSION  
MAR 2022

REF  
AL  
AL

DRAWING  
NUMBER  
**22**